

RotaryConnect™ Manual Transfer Switch

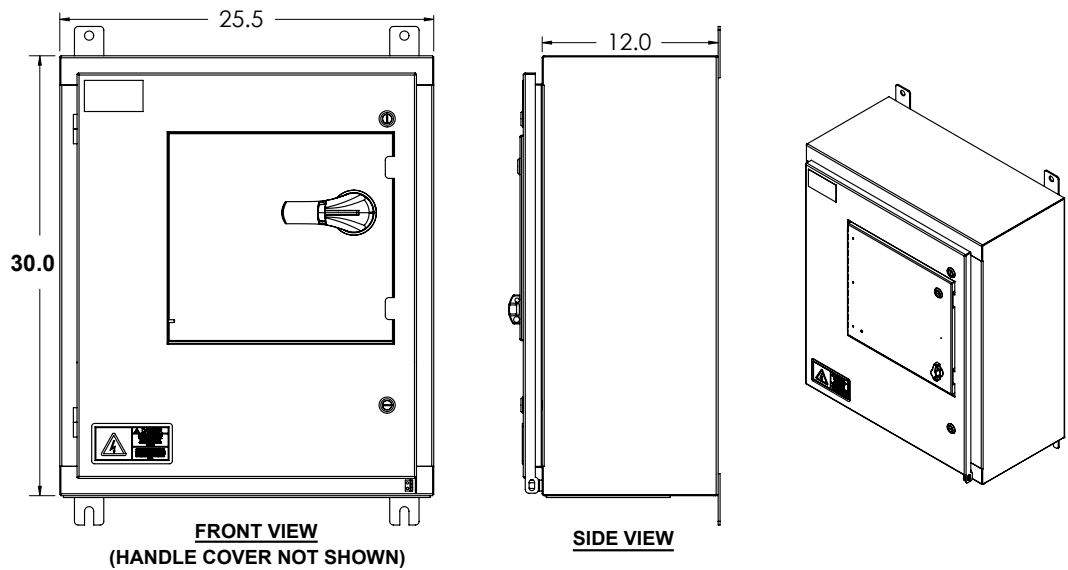
100-200A up to 600VAC
Series:8302

Features



- Quick connect solution for backup alternate power
- Door & dead front panel for safe alternate power connection and operation
- Primary power and alternate power disconnect is a 3-pole as standard
- Type 3R heavy gauge steel enclosure with gray powdercoat RAL 7035 (stainless steel & additional colors optional)
- Color-coded Series 16 cam style male connectors for easy alternate power connection
- Direct wire connection available for indoor installations (TempTap Generator Docking Station Required)
- Handle cover provides security from unauthorized use
- Wall mountable; leg kits optional
- Operating instructions silkscreened on door

Drawing



Approvals

- UL/cUL 1008 Listed assembly
- UL 1691 Listed receptacles
- UL 1008 Listed switch
- IBC 2015/ASCE 7-10 compliant

Specifications

RotaryConnect™ Manual Transfer Switch Series: 8302

Ordering Information & Options

| | |
|-----------------------------|---|
| System Voltage | 120/240 (2-Phases + Neutral + Ground) 208Y/120 (3-Phases + Neutral + Ground) 208 (3-Phases + Ground) (no Neutral) 240 Delta (3-Phases + Ground) (no Neutral) 240/120 Delta (3-Phases + Neutral + Ground) (High Leg) 480 Delta (3-Phases + Ground) (no Neutral) 480Y/277 (3-Phases + Neutral + Ground) |
| Poles | Standard: 3 Optional: 4 |
| Assembly Rating | 10kA (for higher rating consult factory) |
| Switch kA | 10kA (for higher rating consult factory) |
| Terminals | Disconnect line terminals: 200A (1) #6-300kcmil Load terminals: #6-300kcmil Ground lug: #6 - 300kcmil Neutral: (2) #6 - 4/0 Other options available |
| Disconnect Aux Contact | (1) N.O. / (1) N.C.(standard), (2) N.O. / (2) N.C (optional) |
| Enclosure Material | Steel (standard), 304SS, 316SS |
| Environmental Rating | Standard: 3R (standard), 3RX |
| Enclosure Color | RAL-7035 – Wrinkle Light Gray (standard) RAL-1015 – Wrinkle Light Ivory RAL-1023 – Wrinkle Traffic Yellow RAL-2004 – Wrinkle Pure Orange RAL-3020 – Wrinkle Traffic Red RAL-5002 – Wrinkle Ultramarine Blue RAL-6024 – Wrinkle Traffic Green RAL-7004 – Wrinkle Signal Gray RAL-7038 – Wrinkle Agate Gray RAL-8017 – Wrinkle Chocolate Brown RAL-9003 – Wrinkle Signal White RAL-9005 – Wrinkle Jet Black |
| Standard Accessories | Phase Rotation Monitor Remote Start 3 Point TB |
| Optional Accessories | Pilot Light - Primary Source (Red) Pilot Light - Primary Source (Green) Pilot Light - Alternate Source (Red) Pilot Light - Alternate Source (Green) Surge Protection Device (SPD) Heater/Thermostat/De-Humidistat Receptacle - 20A, 120V Duplex Receptacle - 20A, 120V GFCI Duplex Receptacle - 20A, 120V Twist Lock Receptacle - 30A, 120V Twist Lock Receptacle - 20A, 120V Straight Blade Other options available |
| Aproximate Product Weight: | 115lbs. |
| Aproximate Shipping Weight: | 145 lbs. |