

# DirecTap™ Termination Box

**UL 1773 Listed**

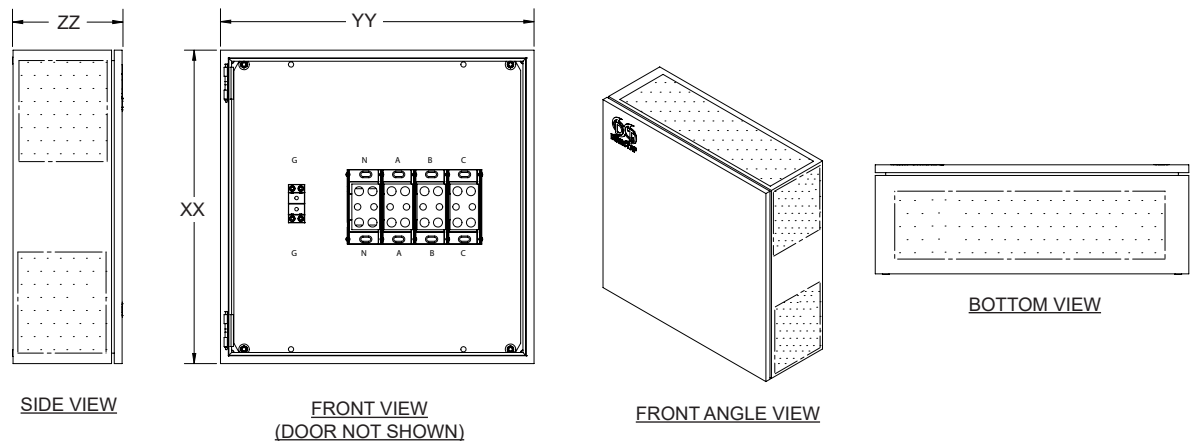
100 - 1500A, up to 600VAC  
Series: 5700

## Features



- Junction box with pre-installed terminals or power distribution blocks
- NEMA Type 1, 3R, 12, 4 and 4X powder coated enclosure options
- Hinged, lockable access door
- Wall mountable; leg kits optional
- Enclosure size will be determined by cable size, quantity of cables and entry/exit position

## Drawing



Available incoming conduit entry locations shown shaded.

- ## Approvals
- UL 1773 Listed Termination Boxes

# Specifications

**UL 1773 Listed**

DirecTap Termination Box  
Series: 5700

Example: DT0400 - 600 - 311 - CW4X

Ordering Information

