

# 1-Gang MIL-C 24368/2 Assembly

200A 480VAC

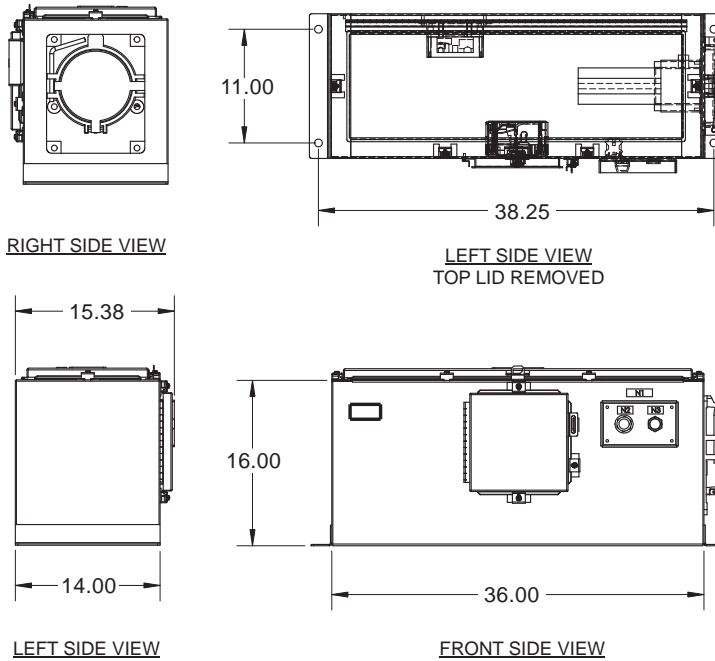
Catalog No: E1-500-480-MIL-C-520054  
Item No: 5200-54

## Features



- Type 4X 12 GA stainless steel, powder-coated enclosure
- Safety-interlocked 500A 500VAC ESL MIL-C-24368/2 shore power receptacle wired to pdb
- Type 4X access door protecting 200A 480VAC circuit breaker
- Power distribution block to accept up to 600 MCM cable
- LED “Receptacle Energized” light and “Emergency Off” push button

## Drawing



## Approvals

- MIL-C / Navy approved
- QPL 24368 listed 500A receptacle
- UL Listed 200A circuit breaker