

# Safety-Interlocked Disconnect Cabinet

100A 4160VAC

Catalog No: ERTG-4160-100-510046A-1

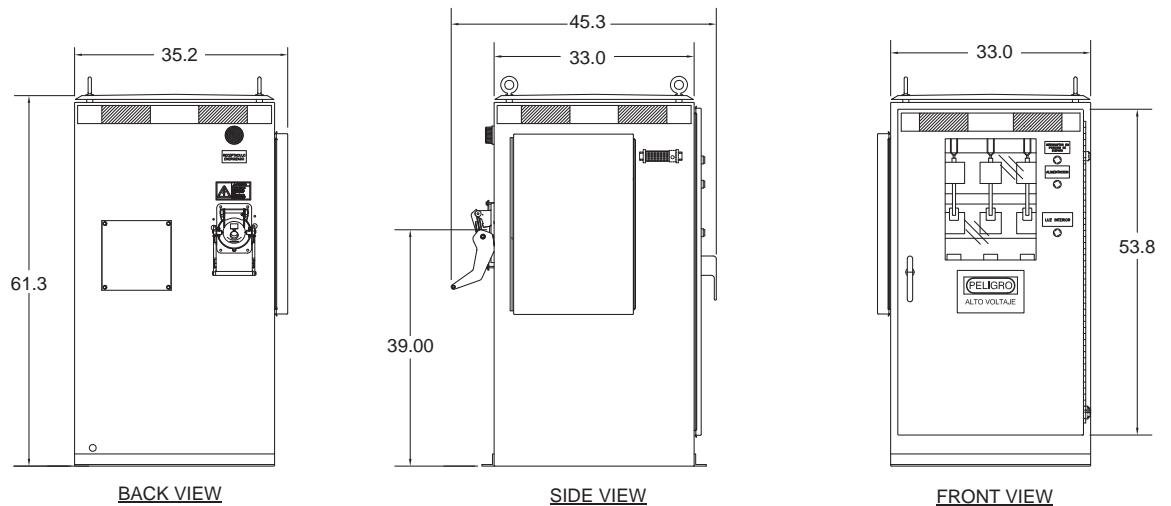
Item No: 5100-46A-1

## Features



- 10GA/12GA 304 stainless steel construction resists corrosion & abuse
- Mechanically-interlocked 5kV switch and receptacle prevents energizing the receptacle without plug inserted or disengaging of the plug unless switch is open and grounded
- 7.2kV push & pull receptacle
- Internal earthing switch (once 5kV is open) prevents removing plug prior to grounding out residual voltage
- Includes MV fuse base and (3) 100A Type CEF fuses
- U.S. Pat. #8183481

## Drawing



# Specifications

Catalog No: ERTG-4160-100-510046A-1

Item No: 5100-46A-1

## Ratings

5kV switch	Max rated voltage of 8.25kV. Rated BIL of 75kVBIL. Continuous and loadbreak amperage of 200A. Momentary rating is 40kA RMS
Receptacles	Cavotec PC5-VX4-K0350L, 150A
Environmental	IP56 per IEC 529 Type 3RX capable per NEMA 250, UL 50, CSA 22.2
Terminals	Receptacles - (3) Phase, (1) Ground & (2) Pilot Pins Mainswitch - (3) Phase, (1) Ground (250kcmil - #6AWG)

## Materials

Stainless steel	Enclosure, interlock mechanism, handles and all fasteners
Aluminum	Receptacle housing
Brass	Contact sleeves
Copper	Ground bus
Neoprene (CR)	Gaskets, cover seals
Bronze	Receptacle moveable arms

## Approximate Weight

Approx. weight	750 lbs.
Approx. shipping weight	800 lbs.

## Replacement Parts

Description	Item No.	Description	Item No.
5kV Switch	4090-22	7.2kV Receptacle kit	4010-91
100A Fuse	1406-97		