

OutTap™ Distribution Unit with Breaker

70 - 400A up to 600VAC

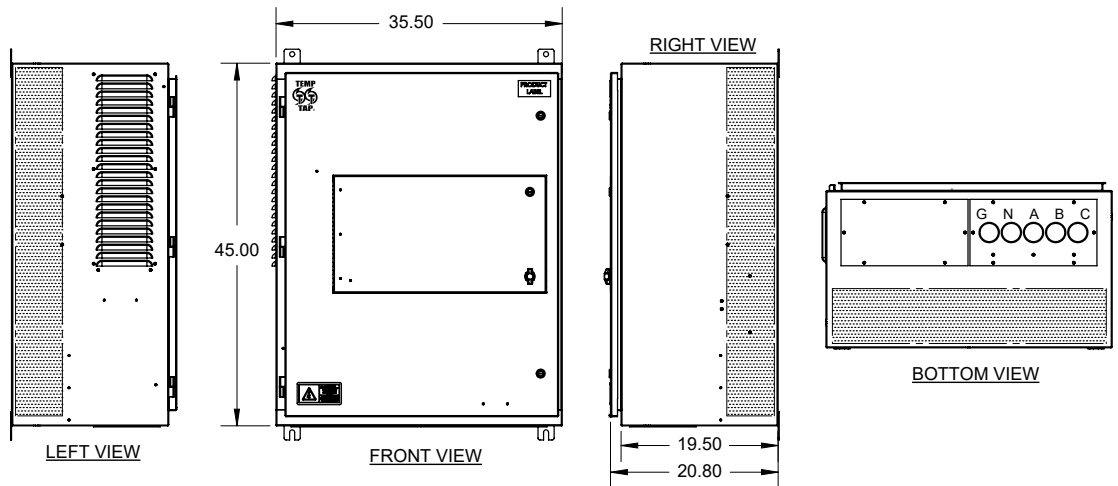
Series: 4840

Features



- Solution for temporary remote connection of generator to load bank
- Circuit breaker disconnect prevents energizing of cams unless door is closed
- Type 3R heavy gauge galv. steel enclosure with gray powdercoat RAL 7038 (stainless steel & additional colors optional)
- Color-coded cam style female outlets
- Hinged, padlockable access door & dead front panel for safe cam connection and operation
- Hinged access plate secures cable entry compartment when not in use
- Handle cover provides security from unauthorized use
- Wall mountable; leg kits optional
- Male plugs sold separately

Drawing



Available incoming conduit entry locations shown shaded.

Approvals

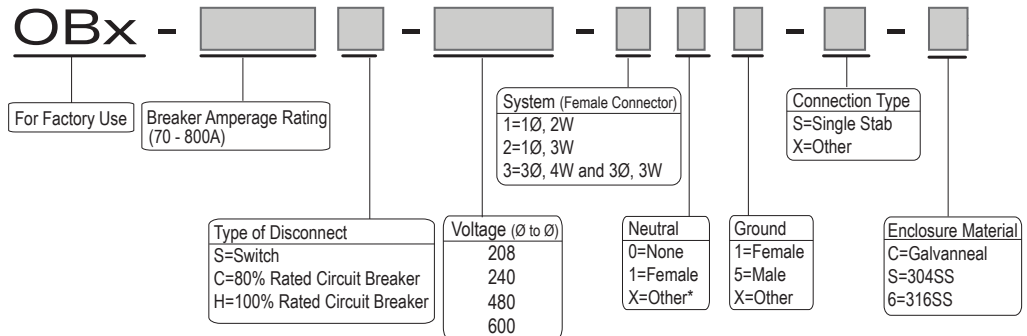
- UL/cUL 891 Listed assembly
- UL 1691 Listed receptacles
- UL 489 Listed / CSA certified molded case circuit breaker
- OSHPD seismic certification (OSP)

Specifications

OutTap™ Distribution Unit with Breaker Series: 4840

Ordering Information

Example: OB8 - 800 C - 480 - 3 1 1 - S - C



Ratings

Short circuit rating (breaker)	65kAIC @ 208VAC & 240VAC, 35kAIC @ 480VAC, 18kAIC @ 600VAC
Withstand rating (switch)	10kA @ 208VAC to 600VAC
Cam-style receptacles	400A, 600VAC (quantities of cams depends upon amperage rating of OutTap)
Terminals	Disconnect line terminals: 70-150A (1) #14AWG - 3/0 175A (1) #4AWG - 4/0 200A (1) 3/0 - 350kcmil 225-400A (2) 2/0 - 500kcmil 450-800A (3) 3/0 - 500kcmil Ground lug: #6 - 300kcmil Neutral: 70-200A (2) #6AWG - 4/0 225-600A (4) #2AWG - 600kcmil 650-800A (4) 1/0 - 750kcmil Other options available
Environmental	Type 3R, gasketed