

# Portable Transformer Unit

## 1.5KVA 15% Booster Transformer (3-Phase)

Catalog No: XK1.5-250-L1530P-10-2-L1530C

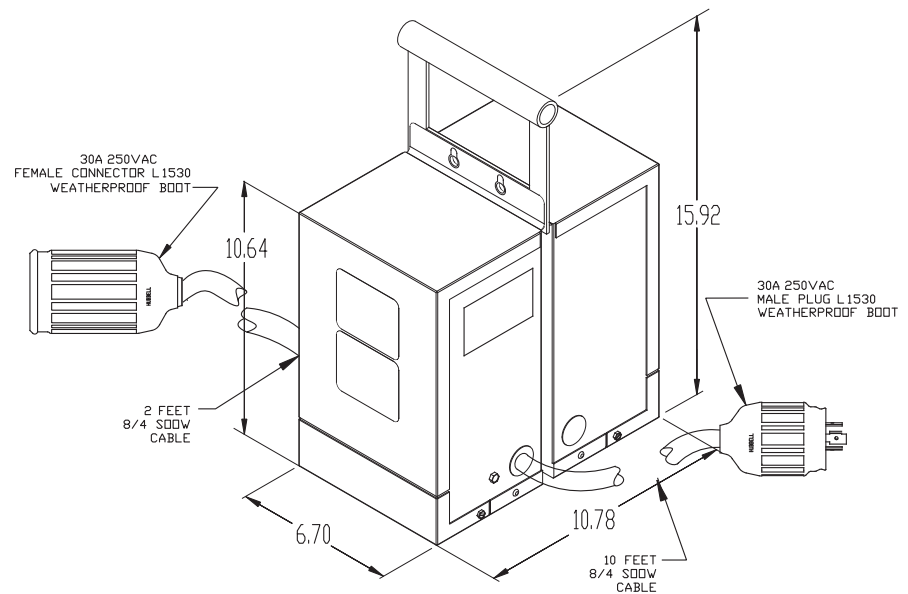
Item No: 3900-10

### Features



- 3-phase self contained, portable unit; safely boost input voltage by 15%.
- Coated steel enclosure resists corrosion & abuse, maintaining a clean, new look.
- Convenient carrying handle

### Drawing



## Specifications

Catalog No: XK1.5-250-L1530P-10-2-L1530C

Item No: 3900-10

### Ratings

Transformer	1.5KVA 3Ø 60Hz
-------------	----------------

Nominal voltage	240VAC
-----------------	--------

Connectors	Watertight twist-lock plug L1530, 30A 250VAC Female connector twist-lock L1530, 30A 250VAC
------------	-----------------------------------------------------------------------------------------------

### Materials

Coated steel	Enclosure
--------------	-----------

Varnish potting compound	Encapsulant
--------------------------	-------------

Copper, Steel; Epoxy Sealed	Transformer
-----------------------------	-------------

### Packaging

Approx. product weight	81 lbs.
------------------------	---------

Approx. shipping weight	86 lbs.
-------------------------	---------