

# OutTap™ Distribution Unit with Breaker

**UL 891 Listed**

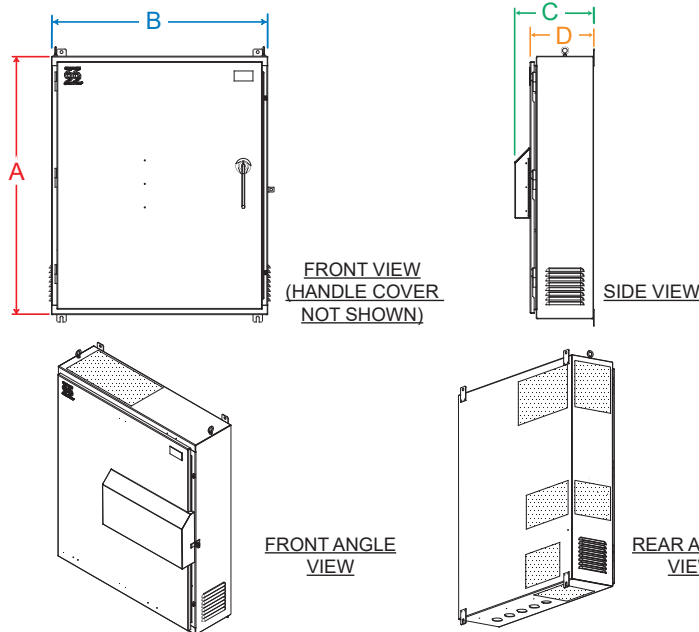
70 - 800A, up to 600VAC  
Series: 3800

## Features



- Solution for temporary remote connection of a facility's permanent generator to a load bank
- 3-pole Circuit breaker disconnect prevents energizing of cams unless door is closed
- Type 3R heavy gauge galv. steel enclosure with gray powdercoat RAL 7035 (stainless steel & additional colors optional)
- Color-coded cam style female outlets
- Hinged, padlockable access door & dead front panel for safe cam connection and operation
- Hinged access plate secures cable entry compartment when not in use
- Handle cover provides security from unauthorized use
- Wall mountable; leg kits optional

## Drawing



Dim	200A	400A	600A	800A
A	30"	45"	53"	55"
B	24"	34"	42.5"	46"
C	13.5"	14.6"	15.5"	16.6"
D	10.4"	11.4"	12.3"	13.4"
Approx Lbs.	138	310	450	680

*Note: Dimensions and weights are subject to change. Please verify with factory.*

Available incoming conduit entry locations shown shaded.

## Approvals

- UL/cUL 891 Listed assembly
- UL 1691 Listed receptacles
- UL 489 Listed / CSA certified molded case circuit breaker

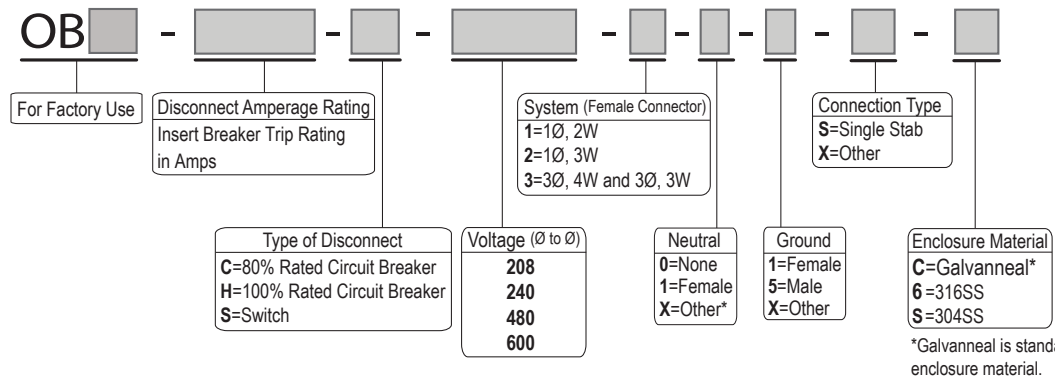
# Specifications

**UL 891 Listed**

OutTap Distribution Unit with Breaker  
Series: 3800

## Ordering Information

Example: OB8 - 800C - 208 - 311 - S - C



Contact factory for additional options

## Ratings

Short circuit rating (breaker)	65kAIC @ 208VAC & 240VAC, 35kAIC @ 480VAC, 18kAIC @ 600VAC
Withstand rating (switch)	10kA @ 208VAC to 600VAC
Cam-style receptacles	400A, 600VAC (quantities of cams depends upon amperage rating of OutTap)
Terminals	Disconnect line terminals: 70-150A (1) #14AWG - 3/0 175A (1) #4AWG - 4/0 200A (1) 3/0 - 350kcmil 225-400A (2) 2/0 - 500kcmil 450-800A (3) 3/0 - 500kcmil  Ground lug: #6 - 300kcmil Neutral: 70-200A (2) #6AWG - 4/0 225-600A (4) #2AWG - 600kcmil 650-800A (4) 1/0 - 750kcmil  Other options available
Environmental	Type 3R, gasketed (Type 3RX with 304SS or 316SS option)