

TempTap™ Generator Docking Station

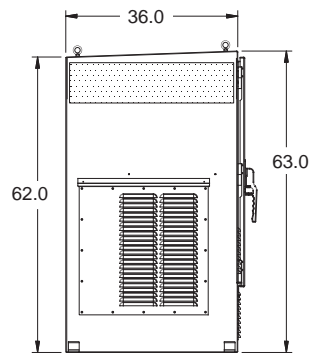
4000A, up to 480VAC
Series: 3642

Features

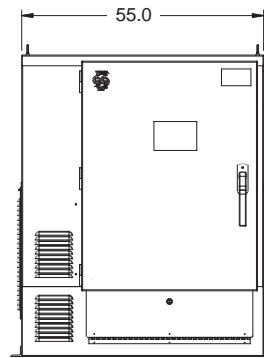


- Quick connect solution for a backup portable generator
- Hinged, padlockable access door & dead front panel for safe generator connection and operation
- Type 3R heavy gauge galv. steel enclosure with gray powdercoat RAL 7035 (stainless steel & additional colors optional)
- Color-coded cam style male connectors for easy generator connection
- Unit does not provide overcurrent protection. Must be used with appropriately sized feeder disconnect for intended application
- Pad mount

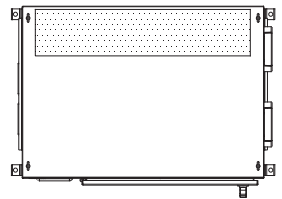
Drawing



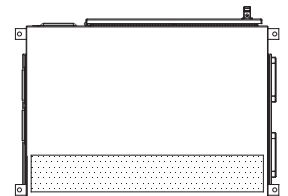
LEFT VIEW



FRONT VIEW



TOP VIEW



BOTTOM VIEW

Available incoming conduit entry locations shown shaded.

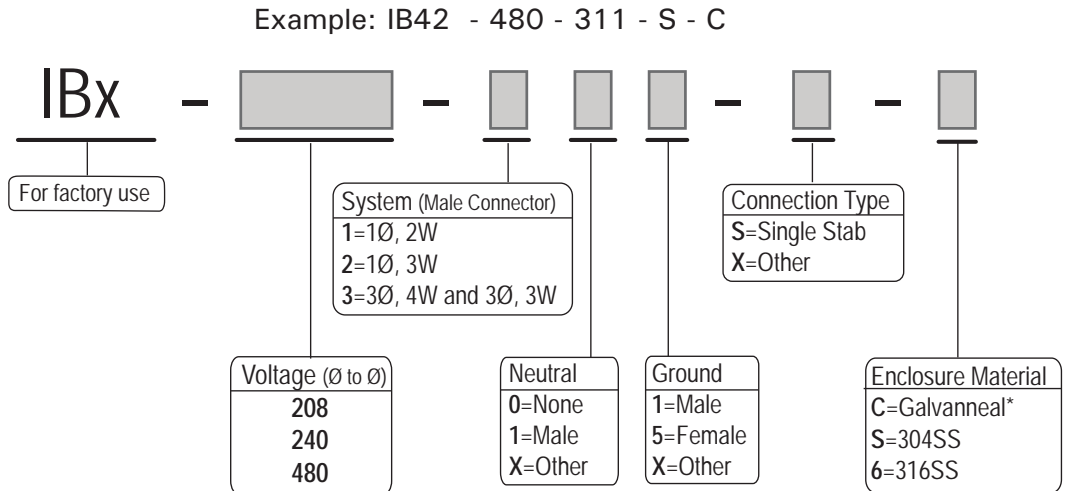
Approvals

- UL 1691 Listed receptacles

Specifications

TempTap™ Generator Docking Station
Series: 3642

Ordering Information



Contact factory for additional options

*Galvanneal is standard enclosure material.

Ratings

Withstand rating	10kA @ 208VAC to 480VAC
Cam-style receptacles	(10) Sets of 400A, 600VAC for phase & neutral (4) 400A, 600VAC for ground
Cable Terminations	Mechanical Lugs (10) 300 - 800kcmil per phase and neutral (if applicable) (10) 2AWG - 600kcmil for ground
Environmental	Type 3R, gasketed (Type 3RX with 304SS or 316SS option)

Packaging

Approximate Product weight	890 lbs.
Approximate Shipping weight	930 lbs.