

# TempTap™ Generator Docking Station with Breaker

**UL 1008 Listed**

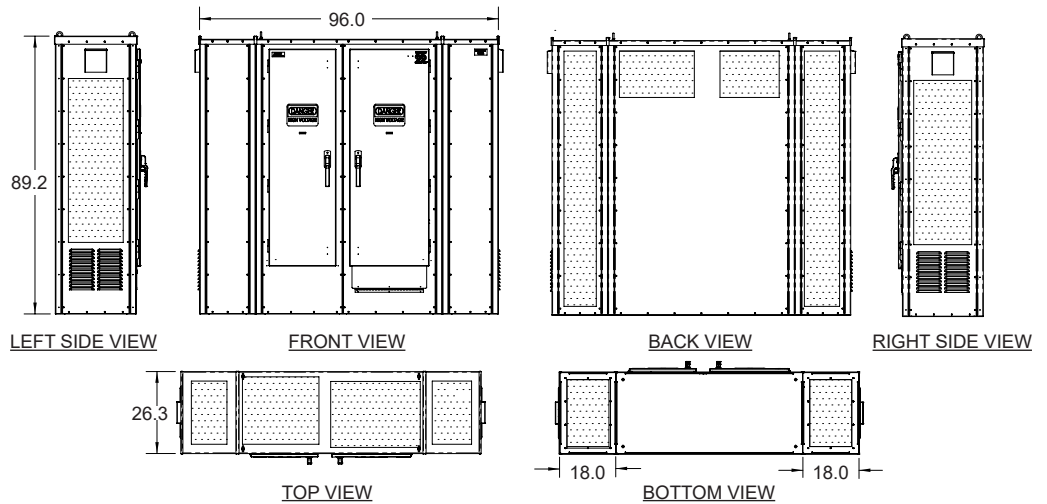
2800A, up to 480VAC  
Series: 3628

## Features



- Solution for temporary remote connection of portable generator
- 3-Pole circuit breaker disconnect prevents energizing of cams unless door is closed
- Type 3R, heavy gauge galv. steel enclosure with wrinkle gray powdercoat RAL 7035 (stainless steel & additional colors optional)
- Color-coded cam style male inlets
- Door & deadfront panel for safe circuit breaker operation
- Safety-interlocked lower dead front for safe cable connection
- Hinged access plate secures cable entry compartment when not in use
- Dual side wireway extension for bottom conduit entry (can be omitted for other conduit entry/exit locations)

## Drawing



Available incoming conduit entry locations shown shaded

## Approvals

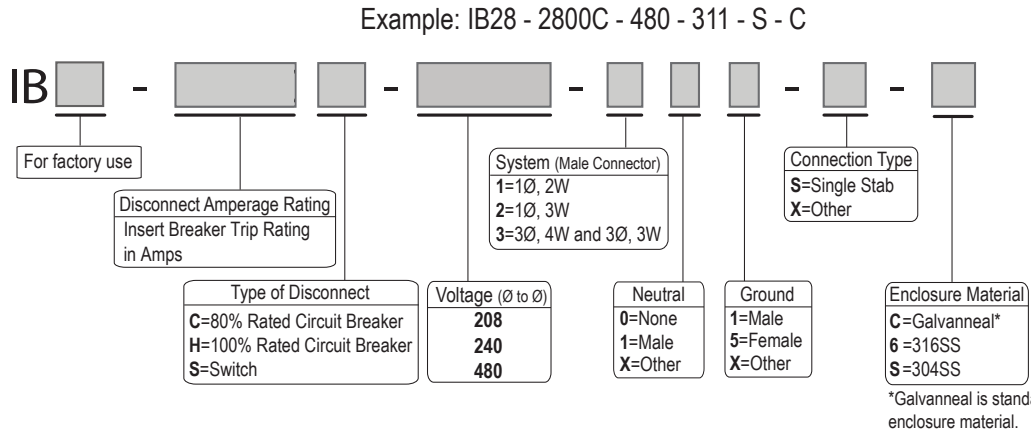
- UL/cUL 1008 Listed assembly
- UL 1691 Listed receptacles
- UL 489 Listed / CSA certified molded case circuit breaker

# Specifications

**UL 1008 Listed**

TempTap Generator Docking Station with Breaker  
Series: 3628

## Ordering Information



Contact factory for additional options

## Ratings

Short circuit rating (breaker)	50kAIC @ 208VAC to 480VAC
Withstand rating (switch)	10kA @ 208VAC to 480VAC
Cam-style receptacles	(7) Sets of 400A, 600VAC for phase & neutral (3) 400A, 600VAC for ground
Terminals	Load terminals: (8) 300 - 800kcmil per phase/neutral Ground lug: (9) #2 - 600kcmil Other options available
Environmental	Type 3R, gasketed (Type 3RX with 304SS or 316SS option)

## Packaging

Approximate product weight	1,500 lbs.
Approximate shipping weight	1,580 lbs.