

# TempTap™ Generator Docking Station with Breaker

**UL 1008 Listed**

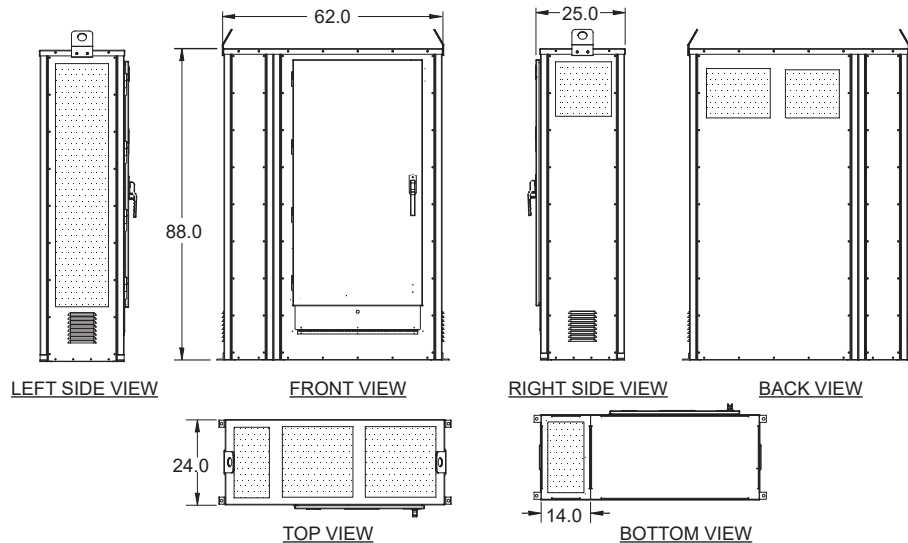
1600A, up to 600VAC  
Series: 3616

## Features



- Solution for temporary remote connection of portable generator
- 3-Pole circuit breaker disconnect prevents making or breaking connections under load
- Type 3R, heavy gauge galv. steel enclosure with wrinkle gray powdercoat RAL 7035 (stainless steel & additional colors optional)
- Color-coded cam style male inlets
- Door & deadfront panel for safe circuit breaker operation
- Safety-interlocked lower dead front for safe cable connection
- Hinged access plate secures cable entry compartment when not in use
- Standard side wireway extension for bottom conduit entry (can be omitted for other conduit entry/exit locations)

## Drawing



Available incoming conduit entry locations shown shaded

## Approvals

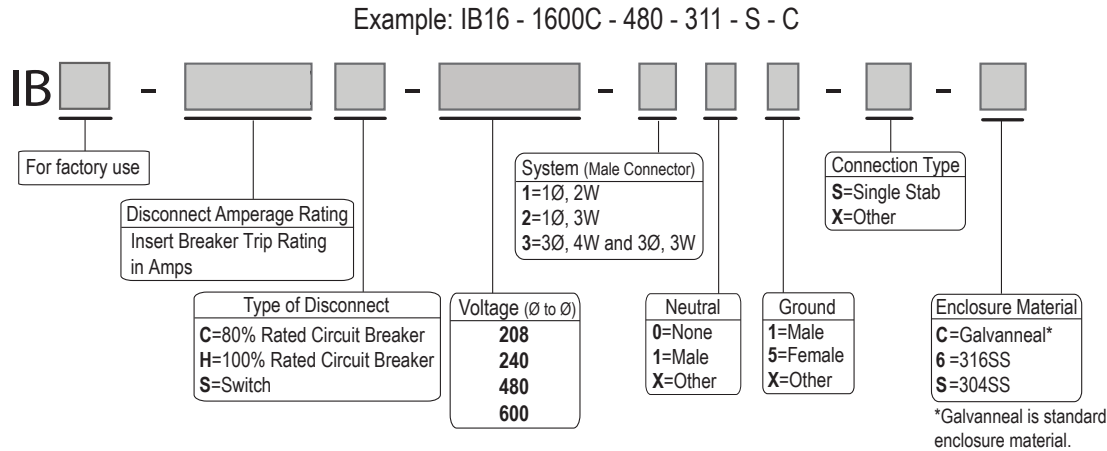
- UL/cUL 1008 Listed assembly
- UL 1691 Listed receptacles
- UL 489 Listed / CSA certified molded case circuit breaker

# Specifications

**UL 1008 Listed**

TempTap Generator Docking Station with Breaker  
Series: 3616

## Ordering Information



Contact factory for additional options

## Ratings

Short Circuit rating with cams	35kAIC @ 208VAC to 600VAC
Short Circuit rating with lugs	50kAIC @ 208VAC to 600VAC
Cam-style receptacles	(4) Sets of 400A, 600VAC for phase & neutral (2) 400A, 600VAC for ground
Terminals	Load terminals: (4) 300 - 800kcmil per phase/neutral Ground lug: (5) 1/0 - 750kcmil Other options available
Environmental	Type 3R, gasketed (Type 3RX with 304SS or 316SS option)

## Packaging

Approximate product weight	1350 lbs.
Approximate shipping weight	1430 lbs.