

TempTap™ Generator Docking Station with Breaker

UL 1008 Listed

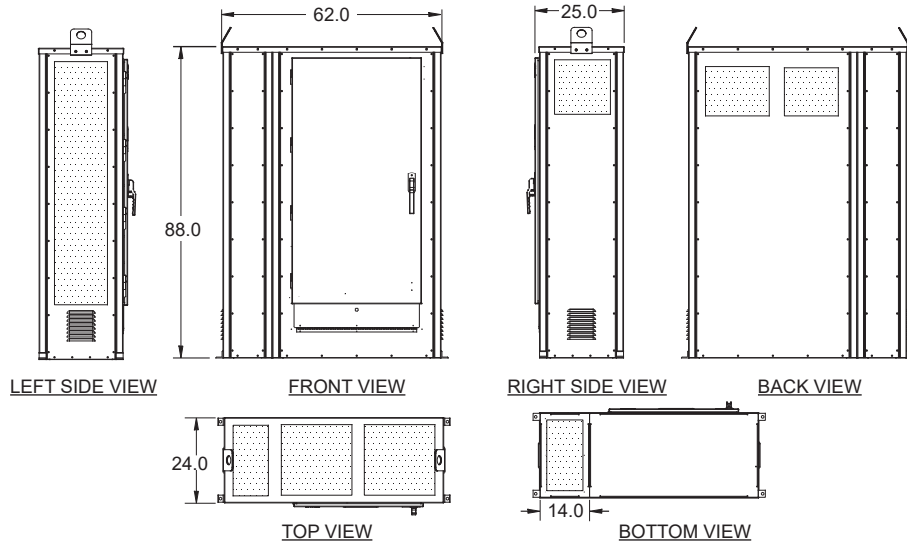
1200A, up to 600VAC
Series: 3612

Features



- Solution for temporary remote connection of portable generator
- 3-Pole circuit breaker disconnect prevents making or breaking connections under load
- Type 3R, heavy gauge galv. steel enclosure with wrinkle gray powdercoat RAL 7035 (stainless steel & additional colors optional)
- Color-coded cam style male inlets
- Door & deadfront panel for safe circuit breaker operation
- Safety-interlocked lower dead front for safe cable connection
- Hinged access plate secures cable entry compartment when not in use
- Standard side wireway extension for bottom conduit entry (can be omitted for other conduit entry/exit locations)

Drawing



Available incoming conduit entry locations shown shaded

Approvals

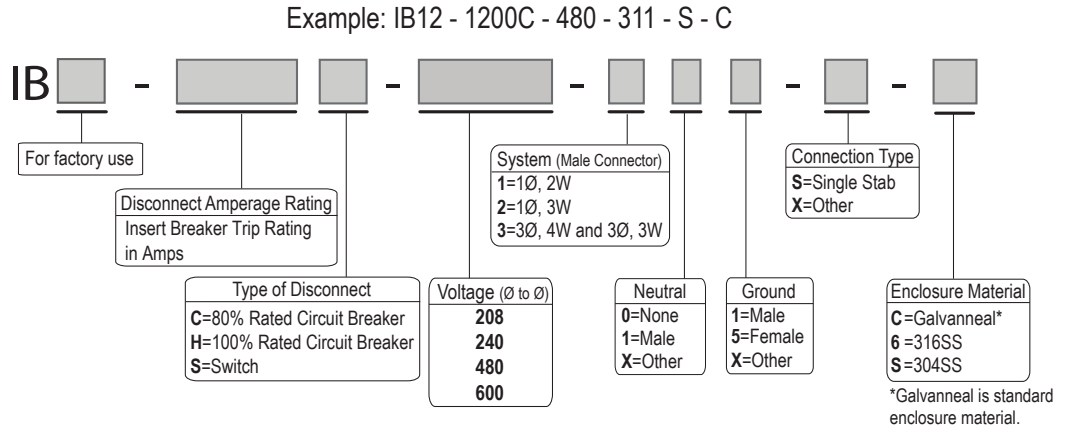
- UL/cUL 1008 Listed assembly
- UL 1691 Listed receptacles
- UL 489 Listed / CSA certified molded case circuit breaker

Specifications

UL 1008 Listed

TempTap Generator Docking Station with Breaker
Series: 3612

Ordering Information



Contact factory for additional options

Ratings

Short circuit rating (breaker)	50kAIC @ 208VAC & 240VAC, 35kAIC @ 480VAC, 18kAIC @ 600VAC
Withstand rating (switch)	10kA @ 208VAC to 600VAC
Cam-style receptacles	(3) Sets of 400A, 600VAC for phase & neutral (1) 400A, 600VAC for ground
Terminals	Load terminals: (4) 3/0 - 500kcmil per phase Neutral terminals: (4) 300 - 800kcmil Ground lug: (9) #2 - 600kcmil Other options available
Environmental	Type 3R, gasketed (Type 3RX with 304SS or 316SS option)

Packaging

Approximate product weight	1,150 lbs.
Approximate shipping weight	1,230 lbs.