

TripleSwitch™ 3-Way Manual Transfer Switch

UL 1008 Listed

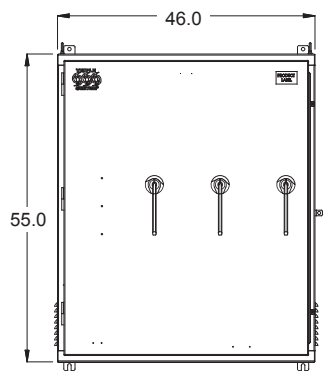
450 - 800A, up to 600VAC
Series: 3181

Features

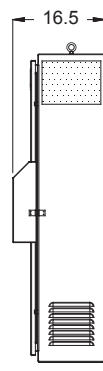


- Quick connect solution for permanent generator load bank testing and a backup portable generator
- Mechanically interlocked mechanism prevents cross-connecting power sources
- Dry contacts provided for annunciator circuit
- Disconnects are 3-pole circuit breakers as standard (optional 4-pole breakers or molded case switches available)
- Type 3R heavy gauge galv. steel enclosure with gray powdercoat RAL 7035 (stainless steel & additional colors optional)
- Color-coded cam style connectors for easy back-up generator & load bank connection
- Handle cover provides security from unauthorized use
- Wall mountable; leg kits are optional
- Optional extended enclosure (8" deeper) for bottom conduit feed

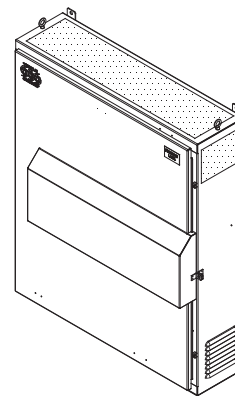
Drawing



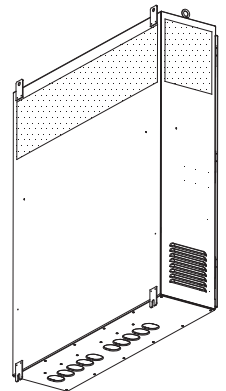
FRONT VIEW
(HANDLE COVER NOT SHOWN)



SIDE VIEW



FRONT ANGLE VIEW



REAR ANGLE VIEW

Available incoming conduit entry locations shown shaded.

Approvals

- UL/cUL 1008 Listed assembly
- UL 1691 Listed receptacles
- UL 489 Listed / CSA certified molded case circuit breaker
- UL 1087 Listed molded case switch

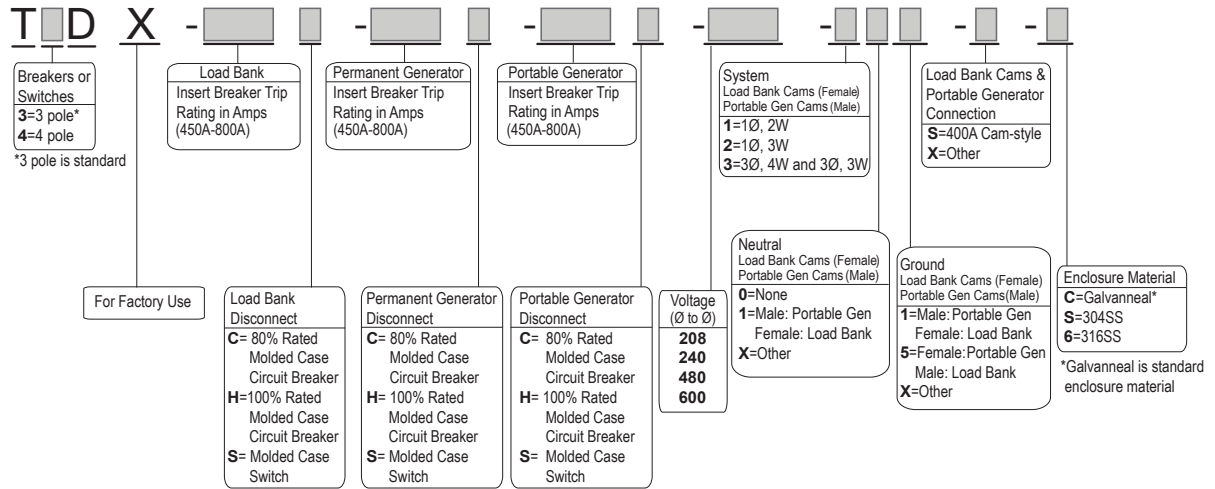
Specifications

UL 1008 Listed

TripleSwitch™ 3-Way Manual Transfer Switch
Series: 3181

Ordering Information

Example: T3D8 - 800C - 800C - 800C - 208 - 311 - S - C



Contact factory for additional options

Ratings

Short circuit rating (breakers)	65kAIC @ 208VAC & 240VAC, 35kAIC @ 480VAC, 18kAIC @ 600VAC
Withstand rating (switches)	10kA @ 208VAC to 600VAC
Cam-style receptacles	Includes the following for both load bank & portable generator: (2) Sets of 400A, 600VAC for phase & neutral (1) 400A, 600VAC for ground
Terminals	Disconnect line terminals: (3) 3/0 - 500kcmil Load terminals: (3) 3/0 - 500kcmil Ground lug: (3) #6 - 300kcmil Neutral: (6) 3/0 - 500kcmil Other options available
Environmental	Type 3R, gasketed (Type 3RX with 304SS or 316SS option)

Packaging

Approximate Product weight	540 lbs.
Approximate Shipping weight	575 lbs.