

TripleSwitch™ 3-Way Manual Transfer Switch

UL 1008 Listed

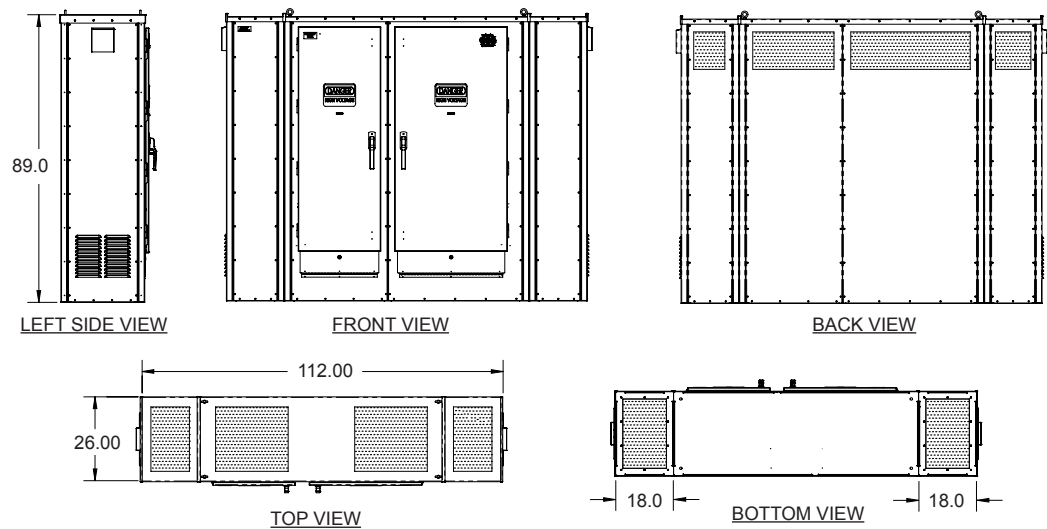
3000A, up to 480VAC
Series: 3132

Features



- Quick connect solution for permanent generator load bank testing and a backup portable generator
- Mechanically interlocked mechanism prevents cross-connecting power sources
- Dry contacts provided for annunciator circuit
- Disconnects are 3-pole circuit breakers as standard (optional 4-pole breakers or molded case switches available)
- Type 3R freestanding 12 gauge galv. steel enclosure with gray powdercoat RAL 7035 (stainless steel & additional colors optional)
- Color-coded cam style connectors for easy back-up generator & load bank connection
- Dual side wireway extension for top and/or bottom conduit entry/exit
- Hinged plates secure generator cord entries when not in use
- Ground fault protection option available

Drawing



Available incoming conduit entry locations shown shaded

Approvals

- UL/cUL 1008 Listed Assembly
- UL 1691 Listed receptacles
- UL 489 Listed / CSA certified molded case circuit breaker
- UL 1087 Listed molded case switch

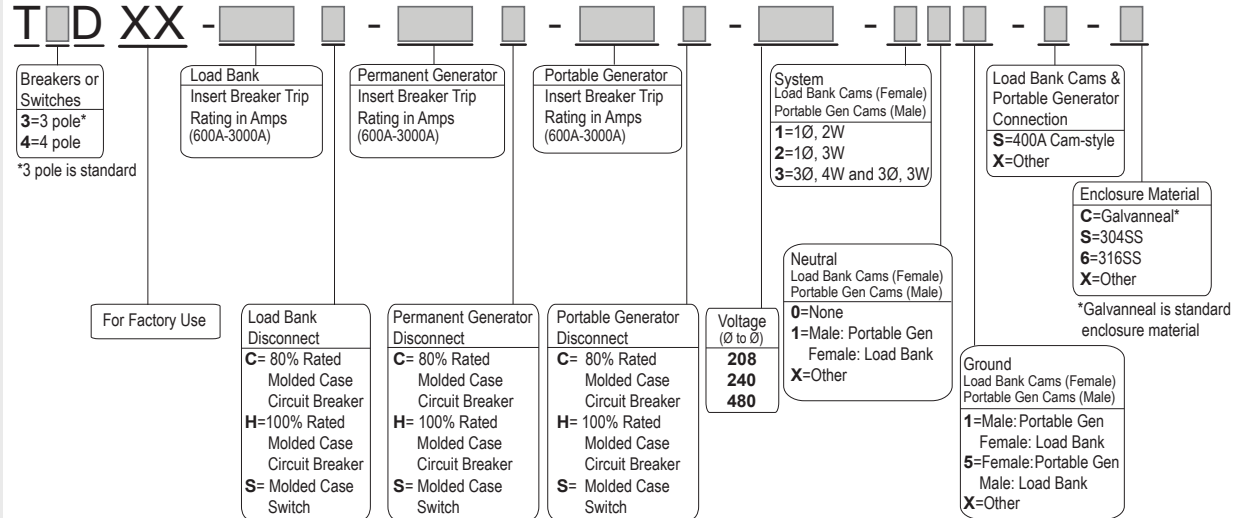
Specifications

UL 1008 Listed

TripleSwitch™ 3-Way Manual Transfer Switch
Series: 3132

Example: T3D32 - 3000C - 3000C - 3000C - 480 - 311 - S - C

Ordering Information



Contact factory for additional options

Ratings

Short circuit rating (breakers)	50kAIC @ 208VAC to 480VAC
Withstand rating (switches)	10kA @ 208VAC to 480VAC
Cam-style receptacles	Includes the following for both load bank & portable generator: (8) Sets of 400A, 600VAC for phase & neutral (3) 400A, 600VAC for ground
Terminals	Disconnect line terminals: Varies with ampacity - consult factory Load terminals: Varies with ampacity - consult factory Ground lug: Varies with ampacity - consult factory Neutral: Varies with ampacity - consult factory Other options available
Environmental	Type 3R, gasketed (Type 3RX with 304SS or 316SS option)

Packaging

Approximate Product weight	3,400 lbs.
Approximate Shipping weight	3,480 lbs.