

StormSwitch® BeBe Compact Manual Transfer Switch

UL 1008 Listed

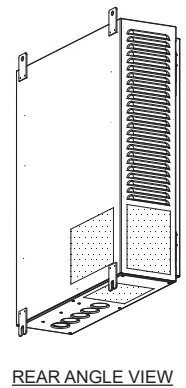
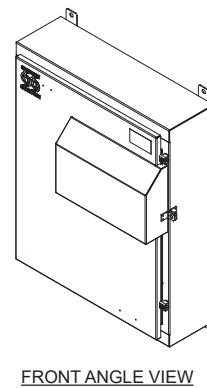
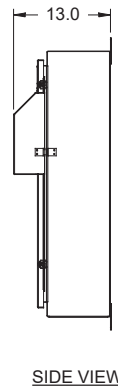
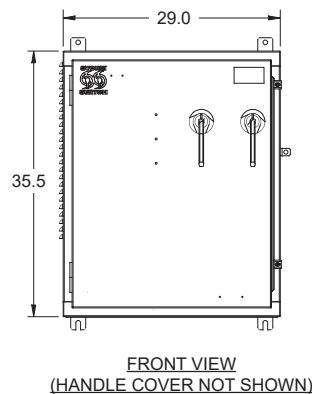
225 - 400A, up to 600VAC
Series: 3042

Features



- **Note: Line & load conduits can enter via bottom and left side only for the BeBe Compact MTS**
- Quick connect solution for alternate power
- 33% smaller footprint than standard StormSwitch™
- Mechanically interlocked mechanism prevents cross-connecting power sources
- Door & dead front panel for safe alternate power connection and operation
- Primary and alternate power disconnects are 3-pole circuit breakers as standard
- Type 3R double coated, cold-rolled steel enclosure with gray powdercoat RAL 7035 (stainless steel & additional colors optional)
- Suitable for Use as Service Equipment (SUSE)
- Color-coded series 16 cam style male connectors for easy alternate power connection
- Direct wire connection available for indoor installations (TempTap Generator Docking Station Required)
- Handle cover provides security from unauthorized use
- Wall mountable; leg kits optional
- Operating instructions silkscreened on door
- U.S. Patent 7462792

Drawing



Available incoming conduit entry locations shown shaded

Approvals

- UL/cUL 1008 Listed assembly
- UL 1691 Listed receptacles
- UL 489 Listed / CSA certified molded case circuit breaker
- UL 1087 Listed molded case switch

Specifications

UL 1008 Listed

Ordering Information & Options

**StormSwitch® BeBe
Compact Manual Transfer Switch
Series: 3042**

System Voltage	120/240 (2-Phases + Neutral + Ground) 208Y/120 (3-Phases + Neutral + Ground) 208 (3-Phases + Ground) (no Neutral) 240 Delta (3-Phases + Ground) (no Neutral) 240/120 Delta (3-Phases + Neutral + Ground) (High Leg) 480 Delta (3-Phases + Ground) (no Neutral) 480Y/277 (3-Phases + Neutral + Ground) 600 Delta (3-Phases + Ground) (no Neutral) 600Y/347 (3-Phases + Neutral + Ground)
Poles	3 kAic (standard),
Assembly Rating	65 kAic at 240VAC, 35 kAic at 480VAC & 18kAic at 600VAC with Circuit Breakers (10kA with Switches)
Trip Type	LI (standard), Thermal Mag, LI Ammeter, LSI, LSI Ammeter, LSIG Ammeter, Automatic Switch
Circuit Breaker kAIC/ Switch kA	Standard: 65kA/240, 35kA/480, 18kA/600 Optional: 100kA/240, 65kA/480, 25kA/600 Optional: 125kA/240, 100kA/480, 50kA/600 Optional: 200kA/240, 200kA/480, 100kA/600
Disconnect Rating	80% Rated Disconnect (standard), 100% Rated Disconnect
Optional Shunt Trip Voltage	12 VDC, 24 VDC, 48 VDC, 125 VDC, 250 VDC, 24 VAC, 48 VAC, 120 VAC, 240 VAC, 277 VAC, 380 VAC, 480 VAC
Terminals	Disconnect line terminals: (2) 2/0 - 500kcmil Load terminals: (2) 2/0 - 500kcmil Ground lug: (2) #6 - 300kcmil Neutral: (2) 2/0 - 500kcmil Other options available
Disconnect Aux Contact	(1) N.O. / (1) N.C.(standard), (2) N.O. / (2) N.C.(optional)
Optional Disconnect Bell Alarm	(1) N.O. / (1) N.C.
Enclosure Material	Double coated, cold-rolled steel (standard), 304SS, 316SS
Environmental Rating	3R (standard), 3RX
Enclosure Color	RAL-7035 - Wrinkle Light Gray (standard) RAL-1015 - Wrinkle Light Ivory RAL-1023 - Wrinkle Traffic Yellow RAL-2004 - Wrinkle Pure Orange RAL-3020 - Wrinkle Traffic Red RAL-5002 - Wrinkle Ultramarine Blue RAL-6024 - Wrinkle Traffic Green RAL-7004 - Wrinkle Signal Gray RAL-7038 - Wrinkle Agate Gray RAL-8017 - Wrinkle Chocolate Brown RAL-9003 - Wrinkle Signal White RAL-9005 - Wrinkle Jet Black
Standard Accessories	Phase Rotation Monitor Remote Start 3 Point TB
Optional Accessories	Pilot Light - Primary Source (Red) Pilot Light - Primary Source (Green) Pilot Light - Alternate Source (Red) Pilot Light - Alternate Source (Green) Surge Protection Device (SPD) Heater/Thermostat/De-Humidistat Receptacle - 20A, 120V Duplex Receptacle - 20A, 120V GFCI Duplex Receptacle - 20A, 120V Twist Lock Receptacle - 30A, 120V Twist Lock Receptacle - 20A, 120V Straight Blade Other options available
Aproximate Product Weight:	150 lbs.
Aproximate Shipping Weight:	190 lbs.