

StormSwitch™ Manual Transfer Switch

UL 1008 Listed

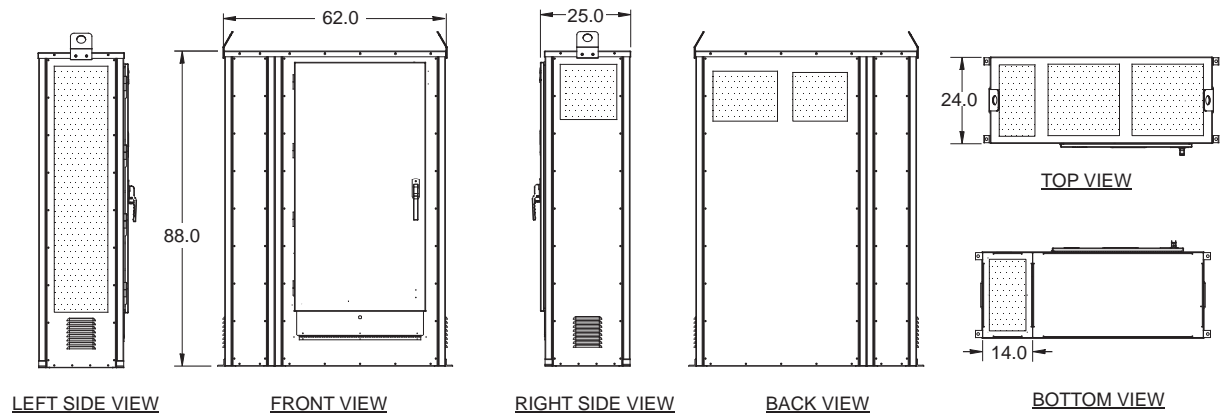
1600A, up to 600VAC
Series: 3016

Features



- Quick connect solution for a backup portable generator
- Mechanically interlocked mechanism prevents cross-connecting power sources
- Door & dead front panel for safe generator connection and operation
- Utility and generator disconnects are 3-pole circuit breakers as standard (optional 4-pole breakers or molded case switches available)
- Type 3R freestanding 12 gauge galv. steel enclosure with gray powdercoat RAL 7035 (stainless steel & additional colors optional)
- Suitable for Use as Service Equipment (SUSE) option available
- Color-coded cam style connectors for easy portable generator connection
- Direct wire connection available for indoor installations (TempTap Generator Docking Station Required)
- Left side wireway extension for bottom conduit entry
- Operating instructions on inside of enclosure
- Hinged plate secures generator cord entries when not in use

Drawing



Available incoming conduit entry locations shown shaded

Approvals

- UL/cUL 1008 Listed assembly
- UL 1691 Listed receptacles
- UL 489 Listed / CSA certified molded case circuit breaker
- UL 1087 Listed molded case switch

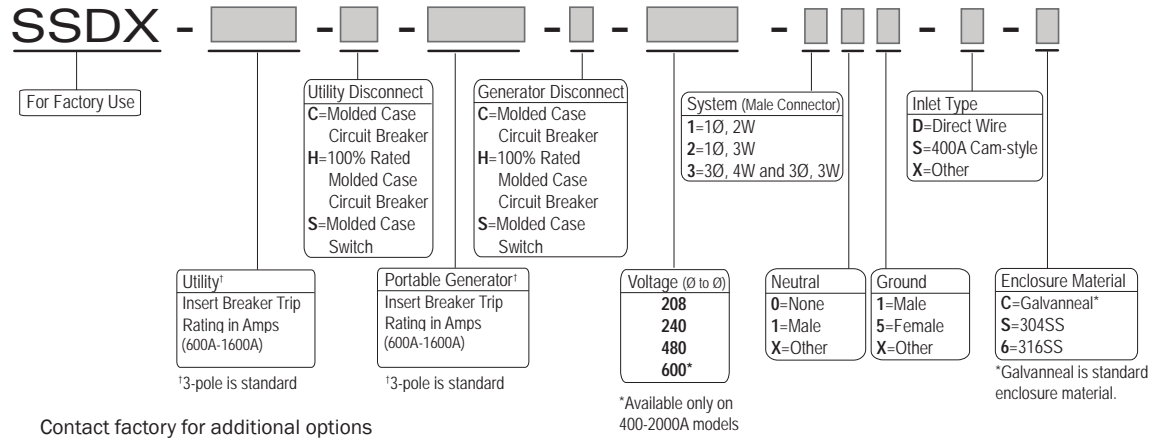
Specifications

UL 1008 Listed

StormSwitch™ Manual Transfer Switch
Series: 3016

Ordering Information

Example: SSD16 - 1600C - 1600C - 208 - 311 - S - C



Ratings

Utility circuit rating	50kAIC @ 208VAC to 600VAC
Generator circuit rating with cams	35kAIC @ 208VAC to 600VAC
Generator circuit rating with lugs	50kAIC @ 208VAC to 600VAC
Cam-style receptacles	(4) Sets of 400A, 600VAC for phase & neutral (2) 400A, 600VAC for ground
Terminals	Disconnect line terminals: (6) 300 - 800kcmil per phase/neutral Load terminals: (6) 300 - 800kcmil per phase/neutral Ground lug: (6) 1/0 - 750kcmil Other options available
Environmental	Type 3R, gasketed (Type 3RX with 304SS or 316SS option)

Packaging

Approximate Product weight	1600 lbs.
Approximate Shipping weight	1680 lbs.