

2-Gang Wall Mount Assembly

32A 480VAC

(32A 380/440VAC per IEC 60309-1 & -2)

Catalog No: E2-R32-480-30-35SNQP-SP

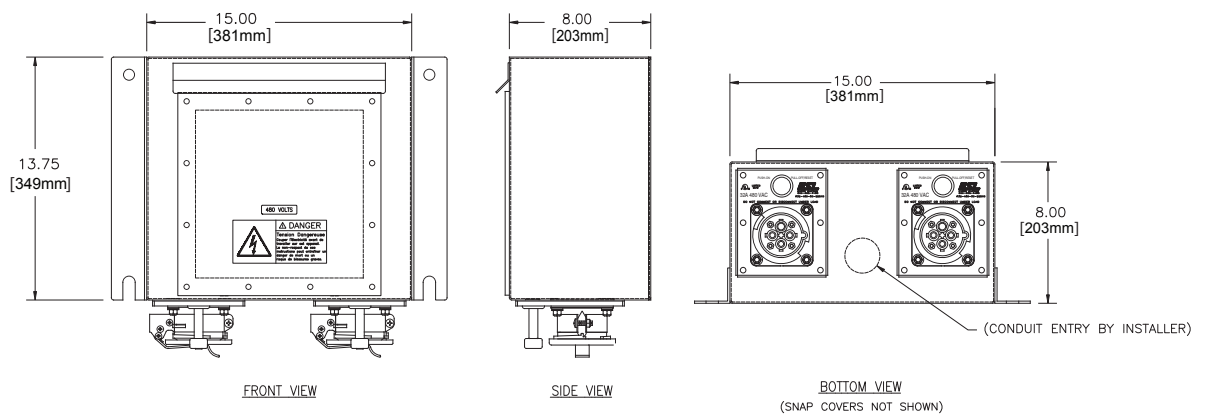
Item No: 2274-04ANW

Features



- UL Listed 2-gang assembly complete with UL Listed safety-interlocked outlets each containing an integral 30A circuit breaker
- Type 4X enclosure manufactured from 14GA seam-welded stainless steel powder-coated texture grey (RAL7038)
- (2) safety-interlocked ESL 32A outlets #1706-56ANP factory wired to power distribution block (PDB)
- UL Listed circuit breaker rated 35kAIC @ 480VAC provides short circuit & overcurrent protection at each outlet
- Each outlet's actuator rod allows user to turn on/off and reset tripped breaker
- PDB accepts incoming cable range of (1) 2/0 - #14AWG per phase line side
- Gasketed bolt-on access cover with drip shield

Drawing



Approvals

- UL/cUL Listed modules and assembly
- UL/cUL 489 Listed / CSA certified molded case circuit breakers

Specifications

Catalog No: E2-R32-480-30-35SNQP-SP

Item No: 2274-04ANW

Ratings

| | |
|------------------|--|
| 2-Gang assembly | 60A 480VAC (440/480VAC 50/60hz) 3 phase 3 wire + ground, 35kAIC RMS symmetrical amps |
| Receptacles | 32A 480VAC (380/440VAC 50/60 Hz) per IEC 60309-1 & -2 |
| Circuit breakers | 30A trip, 35,000AIC @ 480VAC, other trip and AIC ratings available - contact factory |
| Environmental | Type 4X/IP66 |
| PDB terminals | Line side terminal accepts (1) #14 - 2/0 per phase Ground terminal accepts (1) #6 - 2/0 |

Materials

| | |
|----------------------|---|
| Stainless steel | Enclosure, access cover, outlet frames, on/off rods, interlock mechanisms, contact terminal screws & springs, snap covers and all fasteners |
| Aluminum | PDB Lugs |
| Nickel plated brass | Contact sleeves |
| Rynite® | Receptacle insert |
| Polyamide | Receptacle housing |
| Buna-N (Nitrile/NBR) | O-rings, gaskets, cover seals |

Approximate Weight

| | |
|-------------------------|---------|
| Approx. weight | 47 lbs. |
| Approx. shipping weight | 52 lbs. |

Replacement Parts

| Description | Item No. | Description | Item No. |
|-------------------------------------|------------|-------------------|----------|
| Safety-interlocked power outlet | 1706-56ANP | Circuit breaker | 4020-109 |
| Stainless steel snap cover assembly | 1500-01 | Ground sleeve kit | 4016-03 |
| Replacement receptacle kit | 4010-75A | Phase sleeve Kit | 4015-01 |
| Receptacle insert kit | 4010-76A | | |