

# Stainless Steel Single Gang

60A 480VAC

Catalog No: E1-R60-480-50-35SNQP-SP

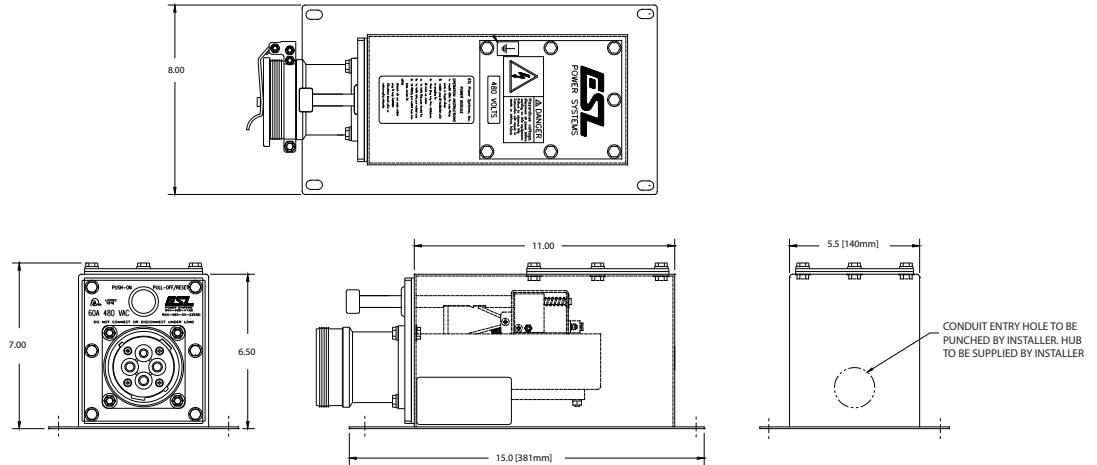
Item No: 2263-22LWN

## Features



- UL Listed 1-gang assembly complete with UL Listed safety-interlocked module containing an integral 50A circuit breaker
- Type 4X enclosure manufactured from 14GA seam-welded stainless steel powder-coated texture gray (RAL7038)
- Factory installed safety-interlocked ESL module #1706-55ANP
- UL Listed circuit breaker rated 35kAIC @ 480VAC provides short circuit & overcurrent protection
- Actuator rod allows user to turn on/off and reset tripped breaker
- High visibility green LED light to signal receptacle energized
- Universal mounting – requires (4) fasteners
- Gasketed bolt-on access cover

## Drawing



## Approvals

- UL/cUL Listed module
- UL/cUL Listed assembly
- UL 489 Listed / CSA certified molded case circuit breaker

## Specifications

Catalog No: E1-R60-480-50-35SNQP-SP

Item No: 2263-22LWN

### Ratings

Receptacle	60A 480VAC, 3 phase 3 wire + ground
Circuit breaker	50A trip, 35,000AIC @ 480VAC, other trip and AIC ratings available - contact factory
Environmental	Type 4X/IP66
Terminals	Installer wires direct to circuit breaker: (3) phase & (1) ground pressure type screw terminals, Phases: #10 - 1/0 (4-50mm <sup>2</sup> ) wire range, Ground: #14 - #2 AWG (2-33mm <sup>2</sup> ) wire range

### Materials

Stainless steel	Enclosure, access cover, module frame, on/off rod, interlock mechanism, contact terminal screws & spring, receptacle housing, snap cover and all fasteners
Nickle plated brass	Contact sleeves
Rynite®	Receptacle insert
Polyamide	Receptacle housing, screw cover (optional)
GP Acetal	Knob, rod seal holder
Neoprene (CR)	Gaskets, Cover Seals
Buna-N (Nitrile/NBR)	O-rings, gaskets, snap cover seal

### Packaging

Product weight	16 lbs.
Shipping weight	17 lbs.
Shipping dimensions	16in x 8in x 8in

### Replacement Parts

Description	Item No.	Description	Item No.
Safety-interlocked power module	1706-55ANP	Screw cover & tether assembly (optional)	1500-14
Stainless steel snap cover assembly	1501-35	Circuit breaker kit	4020-128
Replacement receptacle kit	4010-38N	Ground sleeve kit	4016-12
Receptacle insert kit	4010-107	Phase sleeve kit	4015-04