

eTRUconnect® MC Series 1-Gang Refrigerated Truck/Trailer Shore Power Station

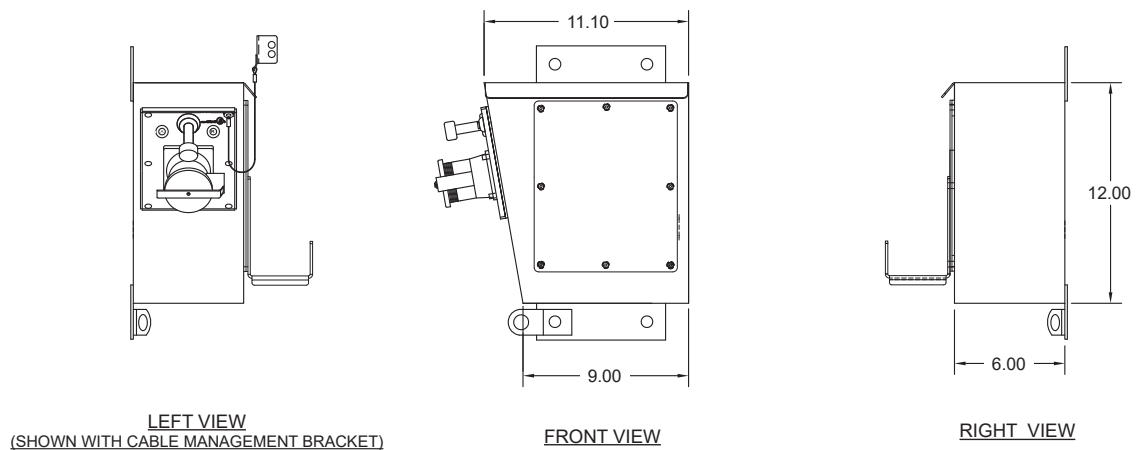
50A 208VAC 3P 4W + G
Catalog No: E1-R50-208-50-65SCPP-SPL
Item No: 2223-73BALG

Features



- UL Listed 1-gang power station for energizing refrigerated truck/trailers, complete with safety-interlocked module containing an integral 50A circuit breaker
- Type 4X enclosure manufactured from 14GA seam-welded stainless steel powder-coated texture light green (RAL 6018)
- Factory installed safety-interlocked ESL module #1700-37APP-208
- UL Listed circuit breaker rated 65kAIC @ 208VAC provides short circuit & overcurrent protection
- Furnished with “Power On” red neon indicator light and “Power Available” amber neon indicator light
- Actuator rod allows user to turn on/off and reset tripped breaker
- Universal mounting – requires (4) fasteners
- Gasketed bolt-on access cover
- Furnished with (1) set of stainless steel cable management brackets
- Module lock-out device
- Factory wired complete to terminal blocks

Drawing



Approvals

- UL/cUL Listed module
- UL/cUL Listed assembly
- UL 489 Listed / CSA certified molded case circuit breaker

Specifications

Catalog No: E1-R50-208-50-65SCPP-SPL
Item No: 2223-73BALG

Ratings

Receptacle	50A 208VAC, 3 phase 3 wire + ground
Circuit breaker	50A trip, 65,000AIC @ 208VAC, other trip and AIC ratings available - contact factory
Environmental	Type 4X/IP66
Terminal	Installer wires direct to circuit breaker: (3) phase & (1) ground pressure type screw terminals, Phases: #10 - 1/0 AWG (4-50mm ²) wire range, Ground: #14 - #2 AWG (2-33mm ²) wire range

Materials

Stainless steel	Enclosure, access cover, module frame, on/off rod, interlock mechanism, contact terminal screws & spring, snap cover and all fasteners
Nickle plated brass	Contact sleeves
Rynite®	Receptacle housing
Buna-N (Nitrile/NBR)	O-rings, gaskets, snap cover seal
GP Acetal	Knob, rod seal

Packaging

Approx. weight	15 lbs.
Approx. shipping weight	20 lbs.

Replacement Parts

Description	Item No.	Description	Item No.
Safety-interlocked power module	1700-37APP-208	Phase sleeve kit	4015-03
Stainless steel snap cover assembly	1500-16L	Circuit breaker kit	4020-06
Replacement receptacle kit	4010-26	Ground sleeve kit	4016-08
Pilot light Red	1400-46-240	Pilot light Amber	1400-46AM-240