

Single-Gang Rack Mount Assembly

32A 480VAC

(32A 380/440VAC per IEC 60309-1 & -2)

Catalog No: E1-R32-480-30-65SNDPPM-SP

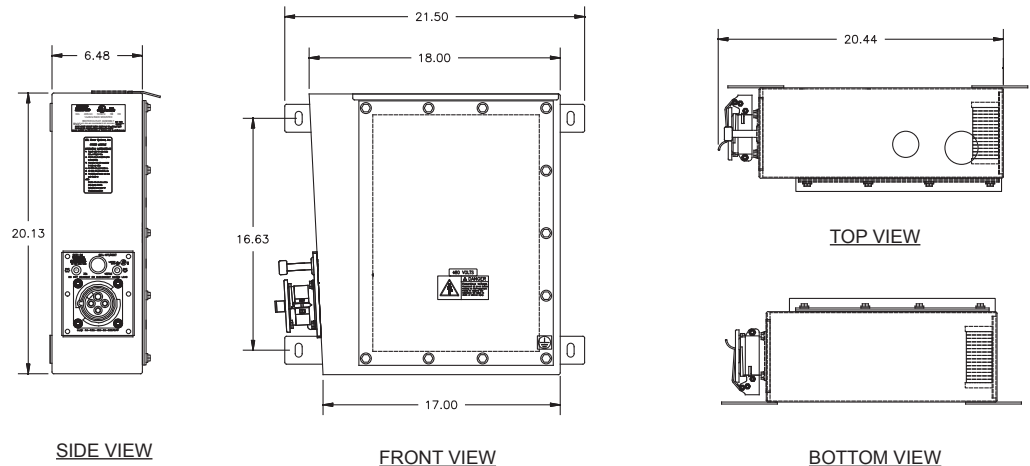
Item No: 2222-28HL

Features



- UL Listed single-gang assembly complete with UL Listed safety-interlocked outlets each containing an integral 30A circuit breaker
- Type 4x enclosure manufactured from 14GA seam-welded stainless steel (powder-coated grey)
- (1) safety-interlocked ESL outlets #1700-59ANPPM factory wired to power distribution block (PDB)
- UL Listed circuit breaker rated 65kAIC @ 480VAC provides short circuit & overcurrent protection at each outlet
- Each outlet's actuator rod allows user to turn on/off and reset tripped breaker
- PDB accepts incoming cable range of (2) 4/0 - #6AWG per phase line side
- Gasketed bolt-on access cover

Drawing



Approvals

- UL/cUL Listed modules and assembly
- UL 489 Listed / CSA certified molded case circuit breakers

Specifications

Catalog No: E1-R32-480-30-65SNDPPM-SP

Item No: 2222-28HL

Ratings

1-Gang assembly	30A 480VAC (380 - 480VAC 50/60hz) 3 phase 3 wire + ground, 65kAIC RMS symmetrical amps
Receptacles	32A 480VAC (380/440VAC 50/60 Hz) per IEC 60309-1 & -2
Circuit breakers	30A trip, 65,000AIC @ 480VAC, other trip and AIC ratings available - contact factory
Environmental	Type 4X/IP66
PDB terminals	Line side terminals accept (2) 4/0 - #6AWG per phase Ground terminal accepts (6) #2 - #14AWG

Materials

Stainless steel	Enclosure, access cover, outlet frames, on/off rods, interlock mechanisms, contact terminal screws & springs, snap covers and all fasteners
Aluminum	PDB Lugs
Nickel plated brass	Contact sleeves
Rynite®	Receptacle insert
Polyamide	Receptacle housing
Buna-N (Nitrile/NBR)	O-rings, gaskets, cover seals

Approximate Weight

Approx. weight	43 lbs.
Approx. shipping weight	53 lbs.

Replacement Parts

Description	Item No.	Description	Item No.
Safety-interlocked power outlet	1700-59ANPPM	Circuit breaker	4020-17
Stainless steel snap cover assembly	1500-01	Ground sleeve kit	4016-03
Receptacle insert contact sleeve assembly	4010-76	Phase sleeve kit	4015-01