

Stainless Steel Single Gang

100A 600VAC

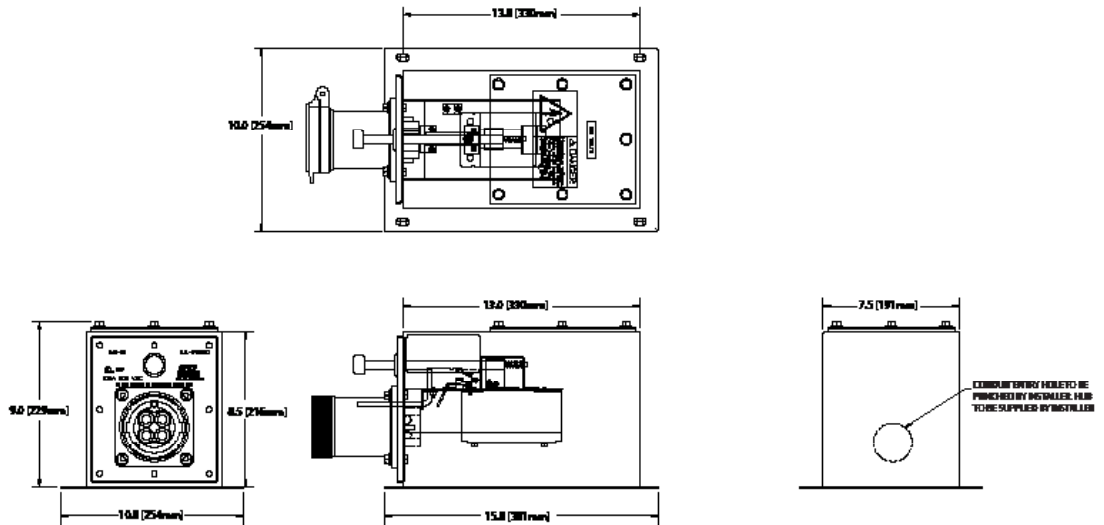
Catalog No: E1-R100-600-100-25LDY4-SP
 Item No: 2218-33C

Features



- UL Listed 1-gang assembly complete with UL Listed safety-interlocked module containing an integral 100A circuit breaker
- Type 4X enclosure manufactured from 14GA seam-welded stainless steel (powder-coated gray)
- Factory installed safety-interlocked ESL module #1700-96C4 complete with Crouse-Hinds® AR1042 receptacle
- UL Listed circuit breaker rated 25kAIC @ 600VAC provides short circuit & overcurrent protection
- Actuator rod allows user to turn on/off and reset tripped breaker
- Mates with Crouse-Hinds® APJ10487 & Appleton® ACP1034CD
- Universal mounting – requires (4) fasteners
- Gasketed bolt-on access cover

Drawing



Approvals

- UL/cUL Listed module
- UL/cUL Listed assembly
- UL 489 Listed / CSA certified molded case circuit breaker

Specifications

Catalog No: E1-R100-600-100-25LDY4-SP
 Item No: 2218-33C

Ratings

Receptacle	100A 600VAC 3 phase 3 wire + ground
Circuit breaker	100A trip, 25,000AIC @ 600VAC, other trip and AIC ratings available - contact factory
Environmental	Type 4X/IP66
Terminals	Installer wires direct to circuit breaker: (3) phase & (1) ground pressure type screw terminals, Phases: #6 AWG-3/0 (13-85mm ²) wire range, Ground: #14 - #2 AWG (2-33mm ²) wire range

Materials

Stainless steel	Enclosure, access cover, module frame, on/off rod, interlock mechanism, contact terminal screws & spring, snap cover and all fasteners
Leaded red brass	Contact sleeves
Re-inforced fiberglass polyester	Receptacle insert
Aluminum	Receptacle housing, receptacle cover
Neoprene (CR)	Gaskets, snap cover seal
Buna-N (Nitrile/NBR)	O-rings

Packaging

Product weight	22 lbs.
Shipping weight	23 lbs.
Shipping dimensions	16in x 8in x 8in

Replacement Parts

Description	Item No.	Description	Item No.
Safety-interlocked power module	1700-96C4	Screw cover & tether assembly (optional)	1500-99SW
Stainless steel snap cover assembly	1500-99SP	Circuit breaker kit	4020-53
Receptacle insert kit	4011-09	Ground & phase sleeve kit	4016-20