

# PORTABLE POWER STATION

---

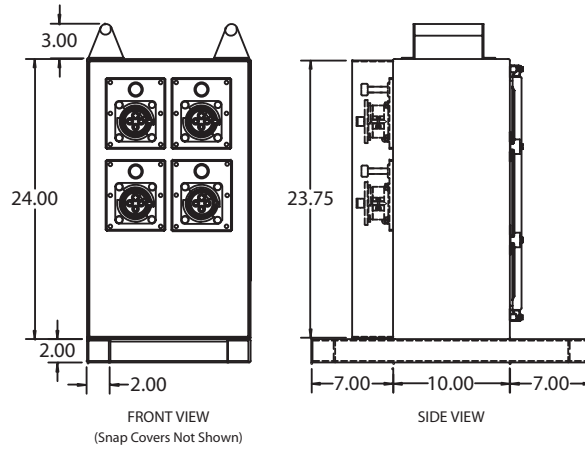
## 32AMP 480VAC

Catalog No: E4-R32-480-30-22SND-SP-220635AN

Item No: 2206-35AN



- Heavy Duty Stainless Steel Construction Resists Corrosion & Abuse
- Safety Interlocked Power Outlets with UL Listed Circuit Breaker Protects Operator & Equipment
- Nickel Plated Brass Contacts & Unique Outlet Design Resists Corrosion & Arc Tracking



**RATING:**

- Receptacle - 32A 380/440V 50/60 Hz (480V 60Hz USA) per IEC 309-2 (CEE-17 3h)
- Circuit Breaker - 30A Trip / 22,000AIC @ 480VAC  
other Trip and AIC ratings available - Contact Factory
- Environmental - (With Mated Plug or Screw Cover) IP56 per IEC 529 / IEC 309-1  
Type 4X capable per NEMA 250, UL 50/508, CSA 22.2
- Terminals - (3) Phase & (1) Ground pressure type screw terminal  
Phase: #10 - #2 AWG (2.5-10mm<sup>2</sup>) Wire Range  
Ground: #10 - #2 AWG (2.5-10mm<sup>2</sup>) Wire Range

**MATERIALS:**

- Stainless Steel - Enclosure, Hardware Frame, On/Off Rod, Interlock Mechanism, Contact Terminal Screws & Spring, Snap Cover, and all Fasteners
- Nickel Plated Brass - Contact Sleeves
- Polyamide - Receptacle Housing
- Neoprene (CR) - Gaskets, Cover Seals
- Buna-N (Nitrile/NBR) - O-Rings
- Rynite - Receptacle Insert

**APPROVALS:**

UL/cUL Listed Module • UL 489 Listed / CSA Certified Molded Case Circuit Breaker

**ACCESSORIES / PARTS**

Description	Item No.	Description	Item No.
• Stainless Steel Snap Cover Assy	1500-01	• Circuit Breaker	4020-01
• Screw Cover & Tether Assy optional	1500-15	• Phase Sleeve Kit (set of 3)	4015-01
• Receptacle & Contact Sleeve Assy	4010-76	• Ground Sleeve Kit	4016-03

**ESL POWER SYSTEMS, INC.**

2800 Palisades Drive • Corona, CA 92880-9427

Tel: (951) 739-7020 • (800) 922-4188 • Fax: (951) 739-7048

www.eslpwr.com • e-mail: info@eslpwr.com

