

Stainless Steel Single Gang

50A 240VAC

Catalog No: E1-R50-240-50-65SC-SPL

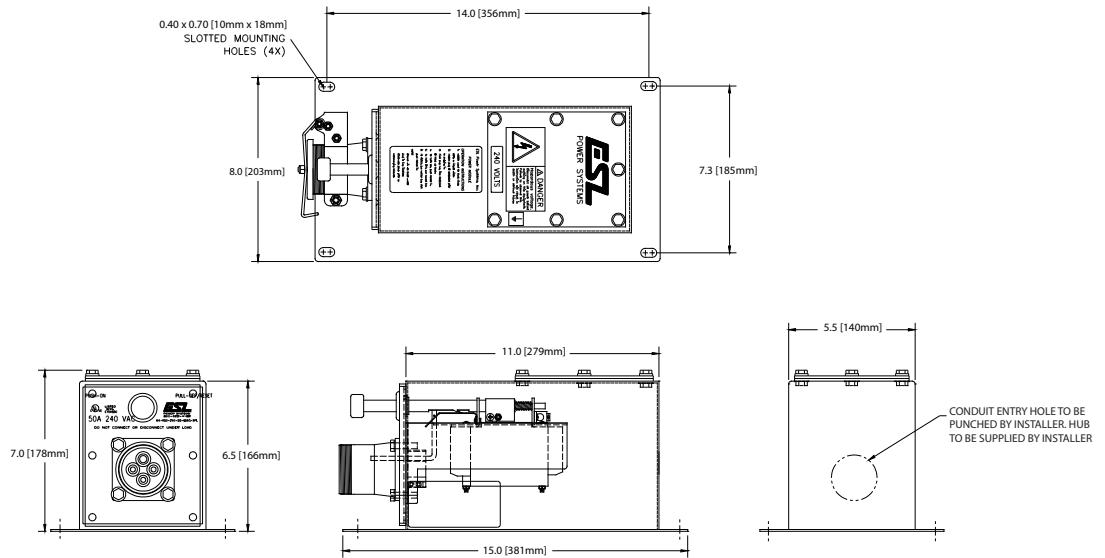
Item No: 2203-22GW

Features



- UL Listed 1-gang assembly complete with UL Listed safety-interlocked module containing an integral 50A circuit breaker
- Type 4X enclosure manufactured from 14GA seam-welded stainless steel powder-coated texture gray (RAL7038)
- Factory installed safety-interlocked ESL module #1700-37A
- UL Listed circuit breaker rated 65kAIC @ 240VAC provides short circuit & overcurrent protection
- Actuator rod allows user to turn on/off and reset tripped breaker
- Universal mounting – requires (4) fasteners
- Gasketed bolt-on access cover

Drawing



Approvals

- UL/cUL Listed module
- UL/cUL Listed assembly
- UL 489 Listed / CSA certified molded case circuit breaker

Specifications

Catalog No: E1-R50-240-50-65SC-SPL

Item No: 2203-22GW

Ratings

Receptacle	50A 240VAC, 3 phase 3 wire + ground
Circuit breaker	50A trip, 65,000AIC @ 240VAC, other trip and AIC ratings available - contact factory
Environmental	Type 4X/IP66
Terminal	Installer wires direct to circuit breaker: (3) phase & (1) ground pressure type screw terminals, Phases: #10 - 1/0 AWG (4-50mm ²) wire range, Ground: #14 - #2 AWG (2-33mm ²) wire range

Materials

Stainless steel	Enclosure, access cover, module frame, on/off rod, interlock mechanism, contact terminal screws & spring, snap cover and all fasteners
Nickle plated brass	Contact sleeves
Rynite®	Receptacle housing
Buna-N (Nitrile/NBR)	O-rings, gaskets, snap cover seal

Packaging

Product weight	16 lbs.
Shipping weight	17 lbs.
Shipping dimensions	16in x 8in x 8in

Replacement Parts

Description	Item No.	Description	Item No.
Safety-interlocked power module	1700-37A	Screw cover & tether assembly (optional)	1500-05
Stainless steel snap cover assembly	1500-16L	Circuit breaker kit	4020-06
Replacement receptacle kit	4010-26	Ground sleeve kit	4016-08
Phase sleeve kit	4015-03		