

Stainless Steel Single Gang

32A 480VAC

(32A 380/440VAC per IEC 60309-1 & -2 CEE 17 3h)

Catalog No: E1-R32-480-30-22SCP-SP

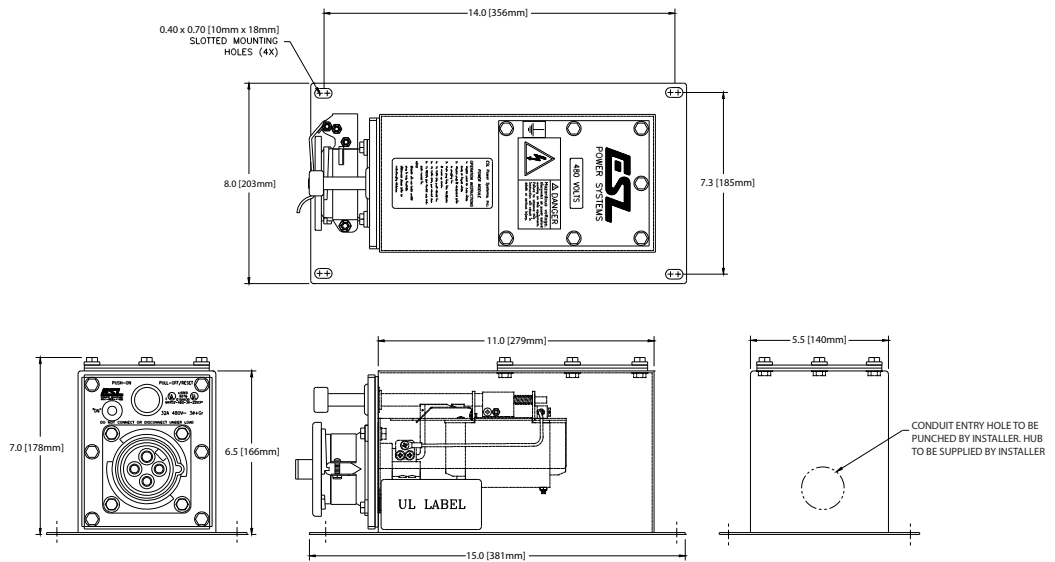
Item No: 2203-22CP

Features



- UL Listed 1-gang assembly complete with UL Listed safety-interlocked module containing an integral 30A circuit breaker
- Type 4X enclosure manufactured from 14GA seam-welded stainless steel (powder-coated gray)
- Factory installed safety-interlocked ESL module #1700-18AP
- UL Listed circuit breaker rated 22kAIC @ 480VAC provides short circuit & overcurrent protection
- Actuator rod allows user to turn on/off and reset tripped breaker
- Universal mounting – requires (4) fasteners
- Gasketed bolt-on access cover

Drawing



Approvals

- UL/cUL Listed modules and assembly
- UL 489 Listed / CSA certified molded case circuit breaker

Specifications

Catalog No: E1-R32-480-30-22SCP-SP

Item No: 2203-22CP

Ratings

Receptacle	32A 480VAC (380/440VAC 50/60 Hz) 3 phase 3 wire + ground, per IEC 60309-1 & -2, CEE 17 3h
Circuit breaker	30A trip, 22,000AIC @ 480VAC, other trip and AIC ratings available - contact factory
Environmental	Type 4X/IP66
Terminals	Installer wires direct to circuit breaker: (3) phase & (1) ground pressure type screw terminals, Phases: #10 - 1/0 (4-50mm ²) wire range, Ground: #14 - #2 AWG (2-33mm ²) wire range

Materials

Stainless steel	Enclosure, access cover, module frame, on/off rod, interlock mechanism, contact terminal screws & spring, snap cover and all fasteners
Nickle plated brass	Contact sleeves
Polycarbonate	Receptacle housing
Buna-N (Nitrile/NBR)	O-rings, gaskets, snap cover seal

Packaging

Product weight	16 lbs.
Shipping weight	17 lbs.
Shipping dimensions	16in x 8in x 8in

Replacement Parts

Description	Item No.	Description	Item No.
Safety-interlocked power module	1700-18AP	Screw cover & tether assembly (optional)	1500-15
Stainless steel snap cover assembly	1500-01	Circuit breaker kit	4020-01
Replacement receptacle kit	4010-05	Ground sleeve kit	4016-03
Pilot light kit	4090-10	Phase sleeve kit	4015-01