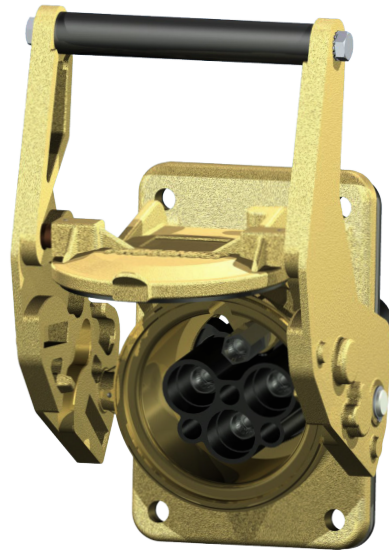


Proconnect - Panel Mount Receptacle

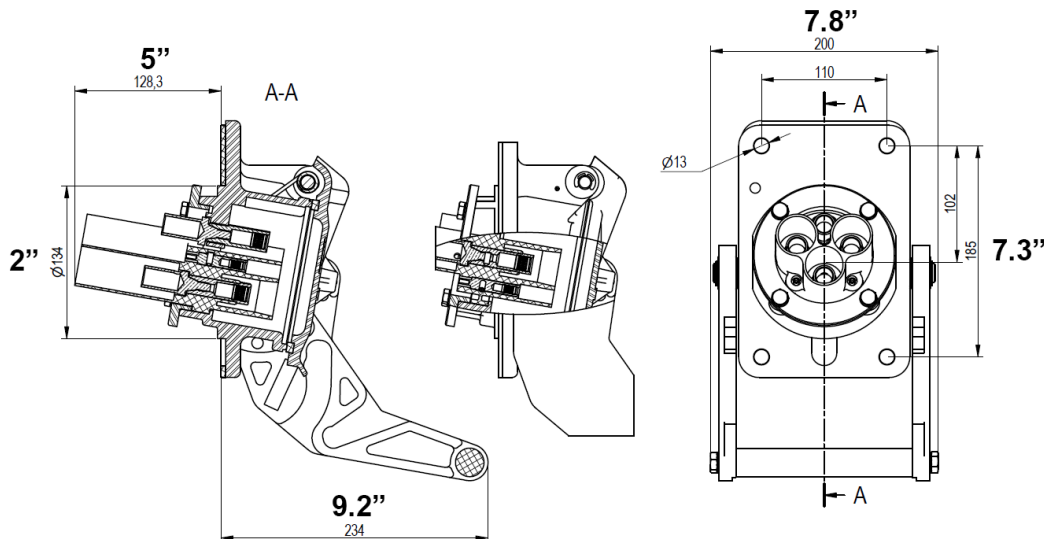
Series: 2019
 Catalog No: 3PX5

Features



- Push-pull receptacle system for high vibration or regular use applications
- Maximum # of pins: (3) phase, (1) neutral, (1) ground, (2) pilot
- Available handle colors: red, blue, none
- Silver-plated self-cleaning slotted sleeve contacts guarantees a solid contact every time
- Corrosion-proof tempered cast aluminium casing including stainless steel fastenings for use in the most arduous applications.
- High ingress protection, and exceptional impact resistance; IP 67/IK 10

Drawing



Specifications

Series: 2019
Catalog No: 3PX5

Ratings

Current	500A Maximum
Environment	IP67
Impact	IK10
Voltage	1kV maximum

Materials

Corrosion Proof Aluminium, Tempered-Cast	Body / Housing
Stainless steel	Fastenings
Silver-plated copper alloy	Contact Pins

Contact Pins

Power Pole	3 maximum
Neutral Ground	1 maximum
Pilot Pin	2 maximum

Temperature

Temperature Range	-30°C +60°C
-------------------	-------------

Weight

Approx. weight	12lbs.
----------------	--------

Standards

IEC 60309-1, IEC 60512, IEC61373, IEC 60529