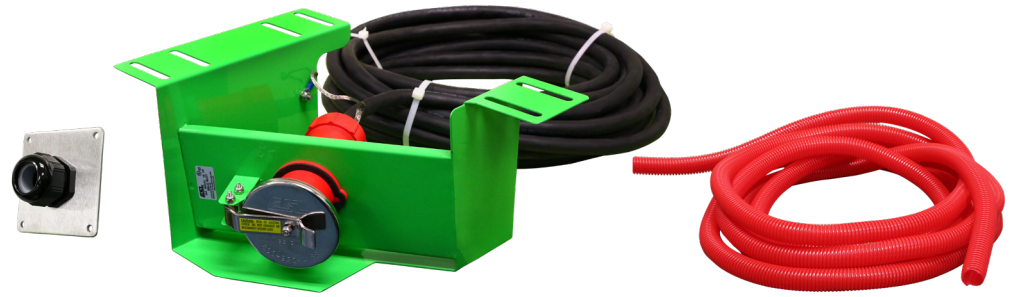


Shore Power Truck Mount Inlet

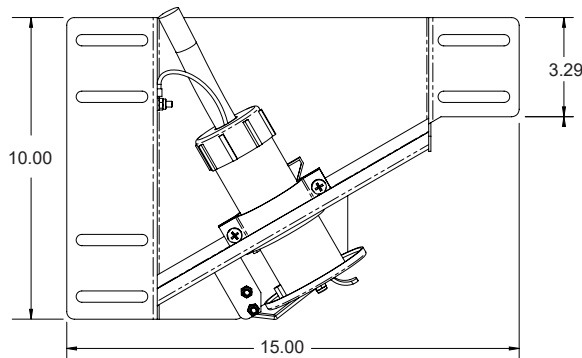
30A 480VAC 3P 3W + G
 Catalog No: IEH307WA
 Item No: 2012-05C-XX

Features

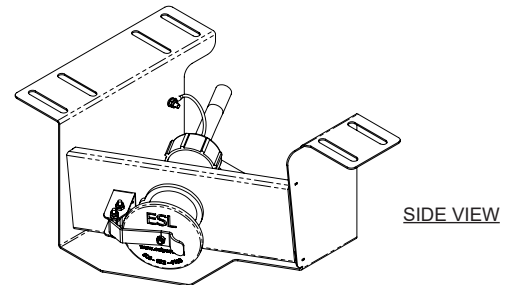


- UL Listed pin and sleeve male inlet
- Heavy duty watertight design for harsh underbody environment
- 14GA stainless steel mounting plate powder coated textured light green (RAL 6018)
- Includes 10/4 S00W cable for connection to refrigerated units (custom lengths available)
- Corrugated split loom sleeve to protect cable
- Cable gland plate to convert existing inlet back box

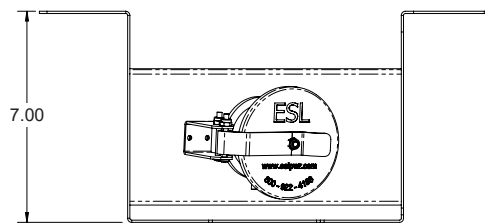
Drawing



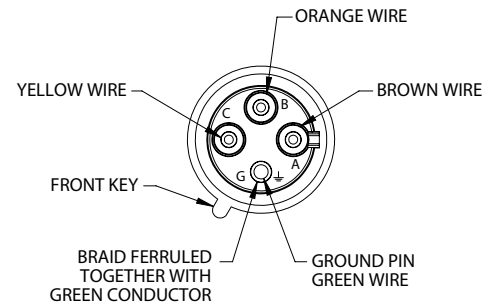
TOP VIEW



SIDE VIEW



FRONT VIEW



Specifications

Catalog No: IEH307WA
Item No: 2012-05C-XX

Ratings

Electrical	30A 480VAC pin & sleeve 3 phase 3 wire + ground, 7h per IEC 60309-1 & -2
Cable	UL Listed 10 AWG 4 conductor 600V Type SOOW

Materials

Polyamide	Body, lock ring, gland ring, inner sleeve, insert
Stainless Steel	Gland clamp
Brass	Contact pins
Polychloroprene	Gaskets, Cable grommett
Buna-N (Nitrile/NBR)	O-rings