

Shore Power Truck Mount Inlet

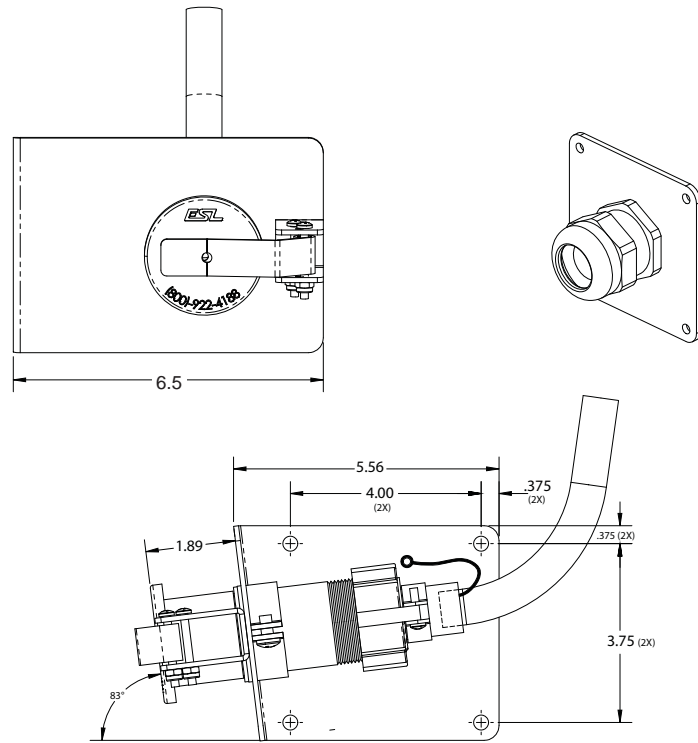
50A 208VAC 3P 3W + G
 Catalog No: IE534MP1
 Item No: 2012-02B

Features



- UL Listed pin and sleeve male inlet
- Heavy duty watertight design for harsh underbody environment
- 10GA stainless steel mounting plate powder coated wrinkle black and hardware
- Includes 40' 8/4 SOOW cable for connection to refrigerated unit
- Furnished with truck trailer receptacle replacement plate with cable gland

Drawing



Approvals

- UL Listed

Specifications

Catalog No: IE534MP1

Item No: 2012-02B

Ratings

Electrical	50A 208VAC pin & sleeve 3 phase 3 wire + ground
Cable	UL Listed 8 AWG 4 conductor 600V Type SOOW
Environmental	Type 4X, IP67 per IEC 529/IEC 309-1 (with mated receptacle)

Materials

Polyamide	Body, lock ring, gland ring, inner sleeve, insert
Stainless Steel	Gland clamp
Brass	Contact pins
Polychloroprene	Gaskets, Cable grommett
Buna-N (Nitrile/NBR)	O-rings