

# Shore Power Receptacle

## 500A 500VAC

Catalog No: MIL-C-24368/2

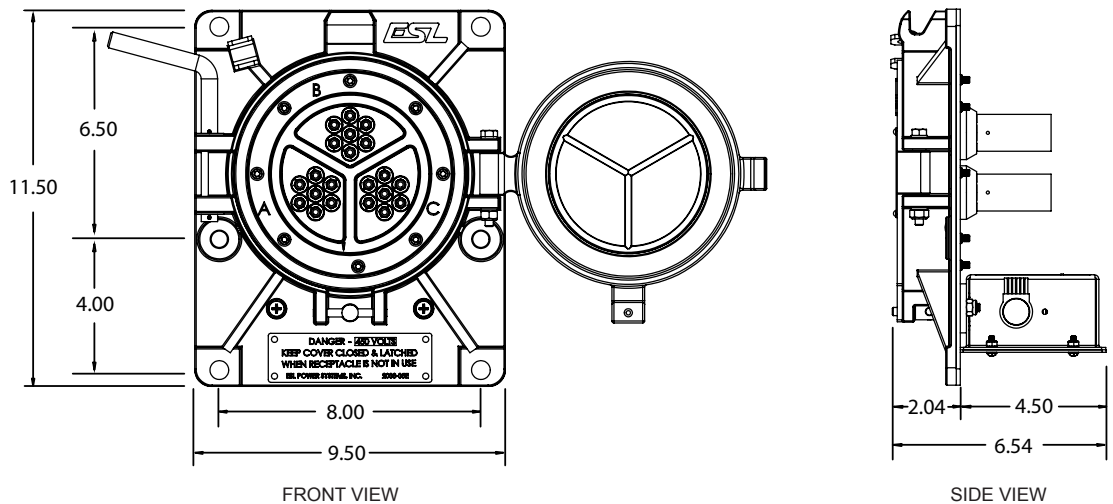
Item No: 2003-05E-101

### Features



- MIL-C-246368 US Navy & NATO standard for vessels & port facilities
- Mates with MIL-C-24368/1 shore power plugs
- Available with optional cable pigtails factory installed, or cable potting kit for field termination of customer's cables
- Integral microswitch provides upstream control and/or alarms
- Electropolished 316 SS housing and watertight cover
- Includes mounting gasket

### Drawing



### Approvals

- QPL 24368 listed

Government Designation	ESL Part Number	Description
M24368/2-101	2003-05E-101	Receptacle
M24368/2-102	2003-05E-102	Receptacle + 10 ft 400MCM cable
M24368/2-103	2003-05E-103	Receptacle + 10 ft SHOF-500 cable
M24368/2-104	2003-05E-104	Receptacle + 10 ft THOF-400 cable
M24368/2-105	2003-05E-105	Receptacle + 10 ft THOF-500 cable
M24368/2-106	2003-05E-106	Receptacle + 10 ft TSGU-400 cable
M24368/2-107	2003-05E-107	Receptacle + 10 ft TSGA-400 cable