

# Flanged Connector

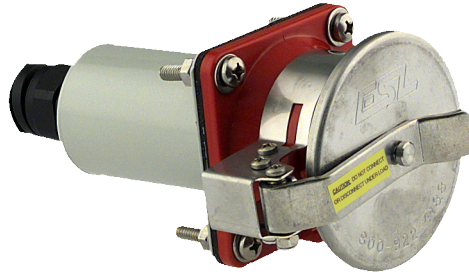
## 32A 480VAC

(32A 380/440VAC 3h per IEC 60309-1 & -2)

Catalog No: CF32N-480-SP

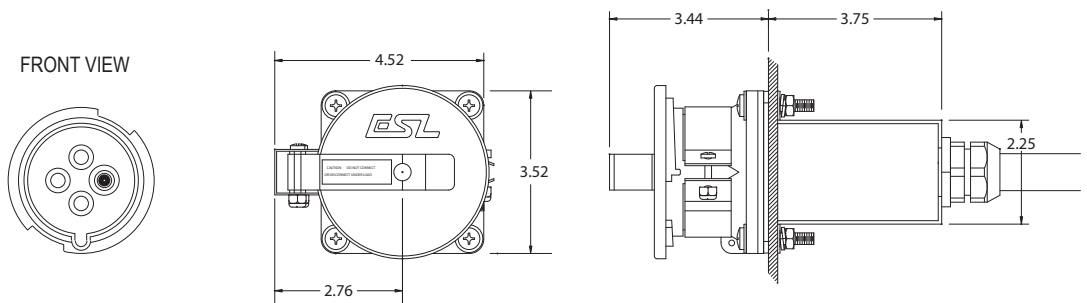
Item No: 1910-01N

### Features



- Heavy-duty design for intermodal applications, shipboard, rail or over-road
- For use as an in-line connector or can be equipment-mounted using extra long bolts provided
- Developed specifically for the severe punishment of underslung gen-set applications, mounted on gen-set or directly to trailer chassis
- Stainless steel self-aligning snap cover
- Watertight screw cover optional
- 2-piece receptacle with polyamide receptacle housing and high temp rynite® insert

### Drawing



## Specifications

Catalog No: CF32N-480-SP

Item No: 1910-01N

### Ratings

Electrical	32A 480VAC pin & sleeve (380/440VAC 50/60 Hz) 3 phase 3 wire + ground, 3h per IEC 60309-1 & -2
Cable range	0.55-0.71in (14 - 18mm) diameter
Environmental	Watertight
Terminals	(3) Phase & (1) ground pressure type 1/4-28 screw terminals (2 per pole) accept #10 - #12 AWG (5-3mm <sup>2</sup> ) 4 conductor cord

### Materials

Stainless steel	Rear housing, terminal screws, snap cover and all fasteners
Polyamide	Receptacle housing
Rynite®	Receptacle insert
Nickel plated brass	Contact sleeves
Neoprene	Gaskets, cover seals
Buna-N (Nitrile/NBR)	O-rings

### Packaging

Approx. product weight	3 lbs. (ea)
Approx. shipping weight	30 lbs. (carton of 10)
Approx. shipping dimensions	17in x 8in x 8in (carton of 10)