

# Watertight Male Plug

100A 208VAC  
Catalog No: E100208MP  
Item No: 1800-23

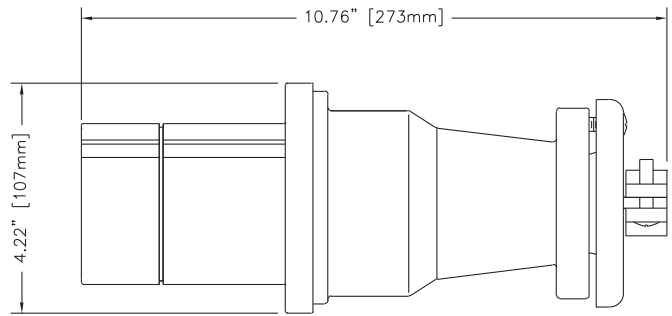
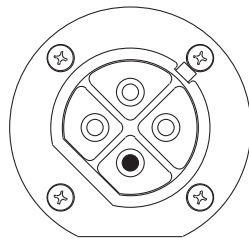
## Features



- UL Listed pin and sleeve male plug
- Heavy-duty plug (metallic)
- Stainless steel design for industrial applications
- Nickel-plated brass contact pins

## Drawing

Front View



## Approvals

- UL & cUL Listed

## Specifications

Catalog No: E100208MP

Item No: 1800-23

### Ratings

Electrical	100A 208VAC pin & sleeve (208VAC 50/60 Hz) 3 phase 3 wire + ground
Cable range	1.0-1.25in (25.4 - 31.75mm) diameter
Environmental	Type 4X, IP67 per IEC 529 (with mated receptacle)
Terminals	(3) Phase & (1) ground pressure type M6 screw terminals (1 per pole) accept #6-#2 AWG (16-36mm <sup>2</sup> ) conductors

### Materials

Aluminum	Body
Rynite	Contact carrier
Brass	Contact pins
Polychloroprene	Gaskets
Buna-N (Nitrile/NBR)	O-rings, housing seal
Neoprene	Grommet
Stainless steel	Front housing, back cap and clamps

### Packaging

Approx. product weight	7 lbs. (ea)
Approx. shipping weight	70 lbs. (carton of 10)
Approx. shipping dimensions	17in x 8in x 8in (carton of 10)