

Watertight Male Plug

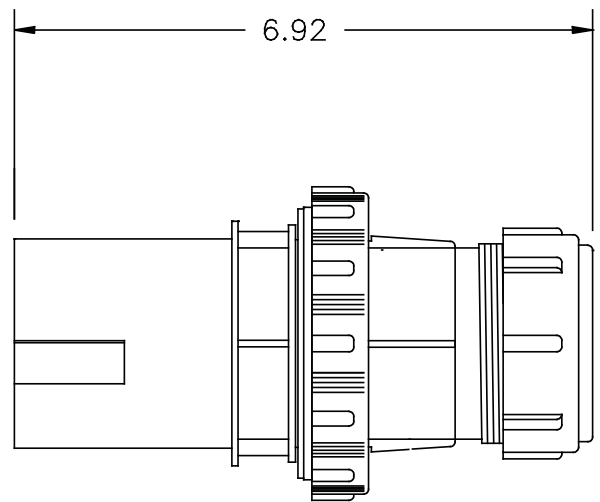
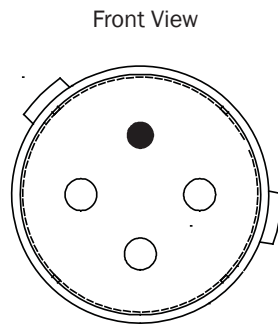
60A 480VAC
Catalog No: E634MP4A
Item No: 1800-05PA

Features



- UL Listed pin and sleeve male plug
- Heavy duty watertight design for marine environment
- One termination set screw per pole in backloaded contact carrier for easy assembly
- Self-sealing cable grommet provides easy install, strain relief and ensures watertight seal

Drawing



Approvals

- UL & cUL Listed

Specifications

Catalog No: E634MP4A

Item No: 1800-05PA

Ratings

Electrical	60A 480VAC pin & sleeve (380/440VAC 50/60 Hz) 3 phase 3 wire + ground
Cable range	0.67-0.75 in (15 - 19mm) diameter
Environmental	Watertight
Terminals	(3) Phase & (1) ground pressure type M6 screw terminals (1 per pole) accept #12-#10 AWG (2.5-16mm ²) conductors

Materials

Polyamide	Body, lock ring, gland ring, inner sleeve
Phenolic	Insert
Brass	Contact pins
Polychloroprene	Gaskets, grommet
Buna-N (Nitrile/NBR)	O-rings
Stainless steel	Gland clamp

Packaging

Approx. Product weight	1.3 lbs. (ea)
Approx. weight	13 lbs. (carton of 10)
Approx. dimensions	17in x 8in x 8in (carton of 10)