

Safety-interlocked Power Outlet

60A 480VAC

Catalog No: R60-480-60-35LMQ-SP

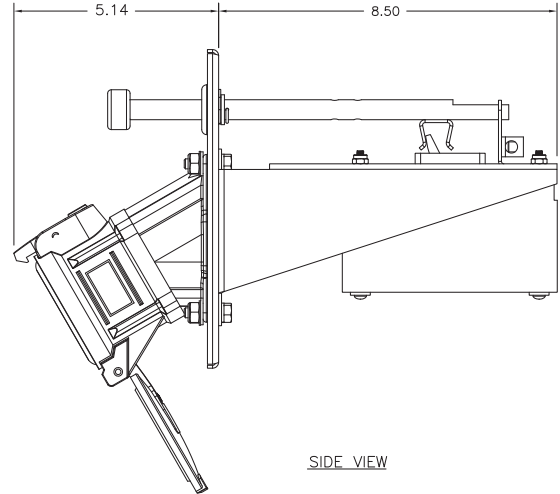
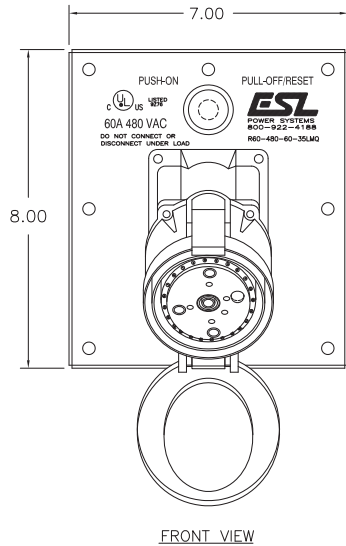
Item No: 1707-69A

Features



- UL Listed safety-interlocked power outlet containing an integral 60A circuit breaker
- Actuator rod allows user to turn on/off and reset tripped breaker
- UL Listed circuit breaker rated 35kAIC @ 480VAC provides short circuit & over current protection
- Furnished with Meltric receptacle 63-64043 with Poly 30° Angle Adaptor 61-6A027-T132
- Spring-loaded snap cover protects receptacle when not in use
- Mates with Meltric male inlet 63-68043-T132 with handle 61-6A013

Drawing



Approvals

- UL/cUL Listed outlet
- UL 489 Listed / CSA certified molded case circuit breaker

Specifications

Catalog No: R60-480-60-35LMQ-SP
 Item No: 1707-69A

Ratings

Receptacle	60A 480VAC (380/440VAC 50/60 Hz)
Circuit breaker	3P molded case, 60A trip / 35,000AIC @ 480VAC, other trip and AIC ratings available - contact factory
Terminals	Installer wires direct to circuit breaker: (3) phase & (1) ground terminals, Phases: (1) #14 AWG - 2/0 AWG (2 - 67mm ²) wire range, Ground: #14 - #2 AWG (2-34mm ²) wire range
Environmental	Type 4X when housed in ESL single gang or multi gang assembly

Materials

Stainless steel	Frame, faceplate, on/off rod, rod seal, interlock mechanism, contact terminal screws & spring, snap cover and all fasteners
Nickel plated brass	Contact sleeves
Polyamide	Receptacle housing & insert
Neoprene (CR)	Gaskets, cover seals
Buna-N (Nitrile/NBR)	O-rings

Packaging

Product weight	7 lbs.
Shipping weight	8 lbs.
Shipping dimensions	16in x 8in x 8in

Replacement Parts

Description	Item No.	Description	Item No.
Receptacle complete housing with insert, contact sleeve & ground assembly	4010-82	Circuit breaker kit	Consult factory