

Safety-interlocked Power Outlet

32A 480VAC

Catalog No: R32-480-30-35SNQP-SP

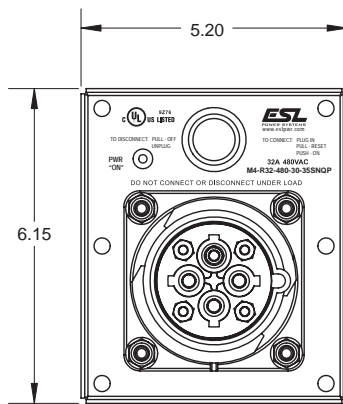
Item No: 1706-56ANP

Features

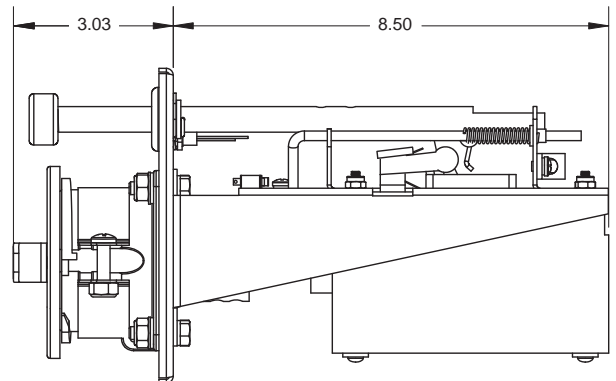


- UL Listed safety-interlocked power outlet containing an integral 30A circuit breaker
- Actuator rod allows user to turn on/off and reset tripped breaker
- UL Listed circuit breaker rated 35kAIC @ 480VAC provides short circuit & over current protection
- “Power On” LED indicator light (shown as energized)
- 2-piece receptacle with polyamide receptacle housing and high temp rynite® insert
- Spring-loaded snap cover protects receptacle when not in use
- Interlocked replacement outlet for use in ESL single gang or multi gang assemblies to power ISO reefer containers

Drawing



FRONT VIEW



SIDE VIEW

Approvals

- UL/cUL Listed outlet
- UL 489 Listed / CSA certified molded case circuit breaker

Specifications

Catalog No: R32-480-30-35SNQP-SP

Item No: 1706-56ANP

Ratings

Receptacle	32A 480VAC (380/440VAC 50/60 Hz) 3h per IEC 60309-1 & -2
Circuit breaker	3P molded case, 30A trip / 35,000AIC @ 480VAC, other trip and AIC ratings available - contact factory
Terminals	Installer wires direct to circuit breaker: (3) phase & (1) ground pressure type screw terminals, Phases: #14 AWG - 2/0 (2.5 - 70mm ²) wire range, Ground: #14 - #6 AWG (2.5-16mm ²) wire range
Environmental	Type 4X when housed in ESL single gang or multi gang assembly

Materials

Stainless steel	Frame, faceplate, on/off rod, snap cover, interlock mechanism, contact terminal screws & spring, and all fasteners
Nickel plated brass	Contact sleeves
Rynite®	Receptacle insert
Polyamide	Receptacle housing, screw cover (optional)
GP Acetal	Knob, rod seal holder
Neoprene (CR)	Gaskets, cover seals
Buna-N (Nitrile/NBR)	O-rings

Packaging

Product weight	7 lbs.
Shipping weight	8 lbs.
Shipping dimensions	16in x 8in x 8in

Replacement Parts

Description	Item No.	Description	Item No.
Stainless steel snap cover assembly	1500-01	Ground sleeve kit	4016-03
Receptacle complete housing with insert, contact sleeve & ground assembly	4010-75	Phase sleeve kit (set of 3)	4015-01
Insert, contact sleeve & ground assembly	4010-76	Pilot light kit	4090-35GNH
Circuit breaker kit	4020-109		