

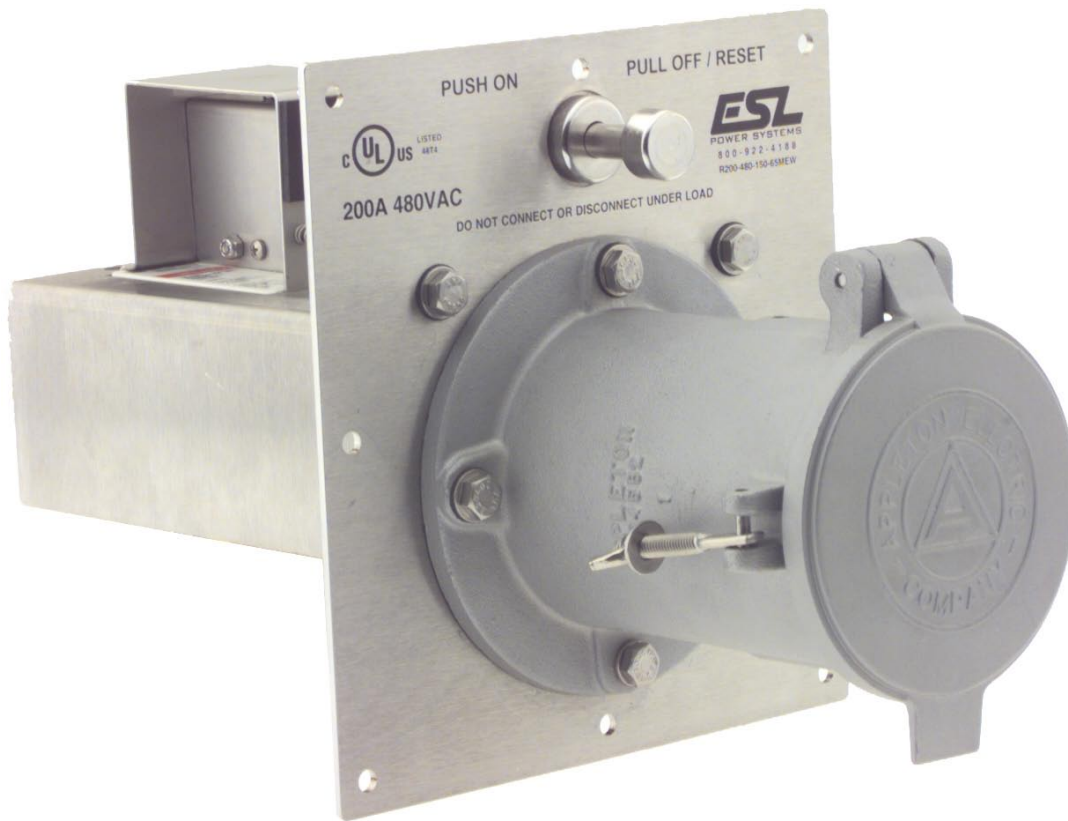
INTERLOCKED POWER MODULE

200AMP 480VAC

(Reverse Service)

Catalog No: R200R-480-200-65MEY-SP

Item No: 1701-62A

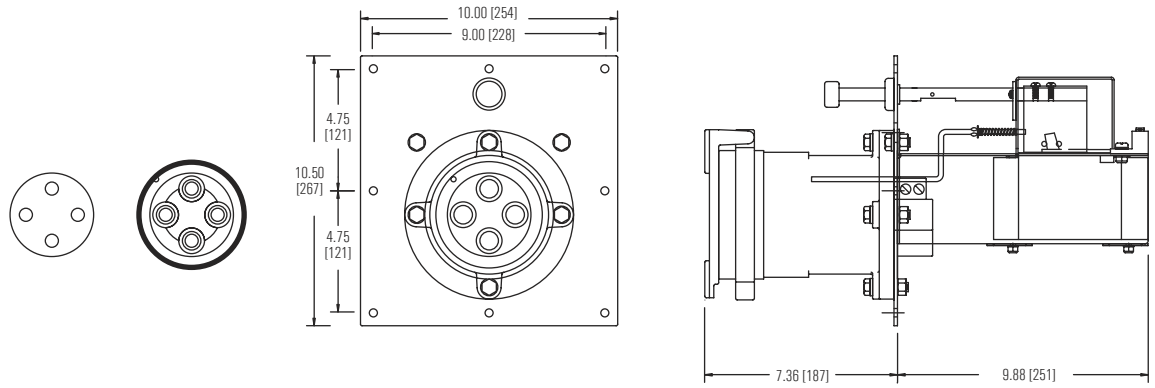


- Reverse Service Receptacle
- Heavy Duty Stainless Steel Construction Resists Corrosion & Abuse
- UL Listed Circuit Breaker Protects Operator & Equipment
- Mates with Cooper Crouse-Hinds® AP20465S22, AP20467S22 AND AP20468S22 Female Plugs

SPECIFICATIONS

Catalog No: R200-480-200-65MEY-SP

Item No: 1701-62A



RATINGS:

Receptacle -
(Reverse Service)

Cooper Crouse-Hinds® AP20465S22, AP20467S22
AND AP20468S22, 200A 600VAC

Circuit Breaker -

200A Trip / 65,000AIC @ 480VAC whit shunt trip

Environmental -
(With mated plug or screw cover)

IP56 per IEC 529
Type 4X capable per NEMA 250, UL 50/508, CSA 22.2

Terminals -

(3) Phase & (1) Ground pressure type screw terminals

MATERIALS:

Stainless Steel -

Frame, On/Off Rod, Interlock Mechanism,
and all Fasteners

Polyester w/ Fiberglass -

Contact Carrier

Brass -

Contact Pins

Aluminum (Copper Free) -

Screw Cover / Snap Cover, Receptacle Housing

Neoprene (CR) -

Gaskets, Cover Seals

APPROVALS:

UL/cUL Listed Module • UL 489 Listed / CSA Certified Molded Case Circuit Breaker
UL Listed Receptacles

ACCESSORIES / PARTS:

Description	Item No.	Description	Item No.
• Circuit Breaker	4020-XX	• Receptacle & Contact Pin Assy	4010-XX



ESL Power Systems, Inc.

2800 Palisades Drive • Corona, CA 92880-9427
Tel: (951) 739-7020 • (800) 922-4188 • Fax: (951) 739-7048
www.eslpwr.com • e-mail: info@eslpwr.com