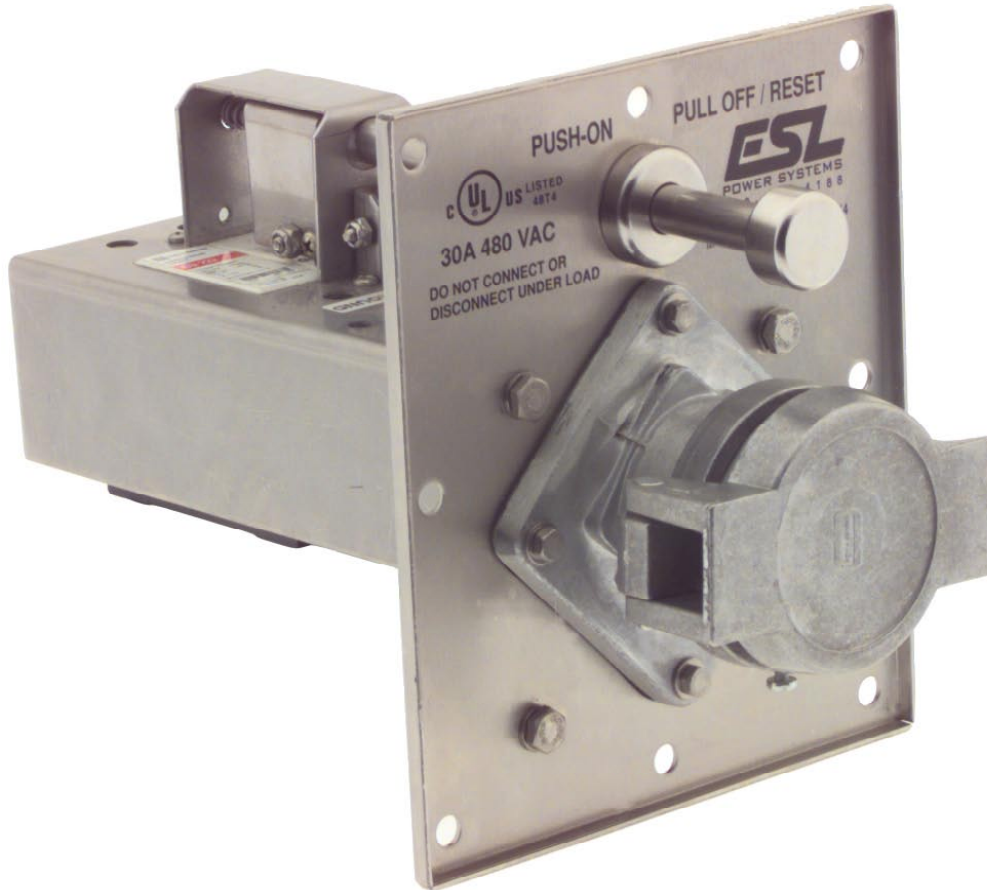


INTERLOCKED POWER MODULE

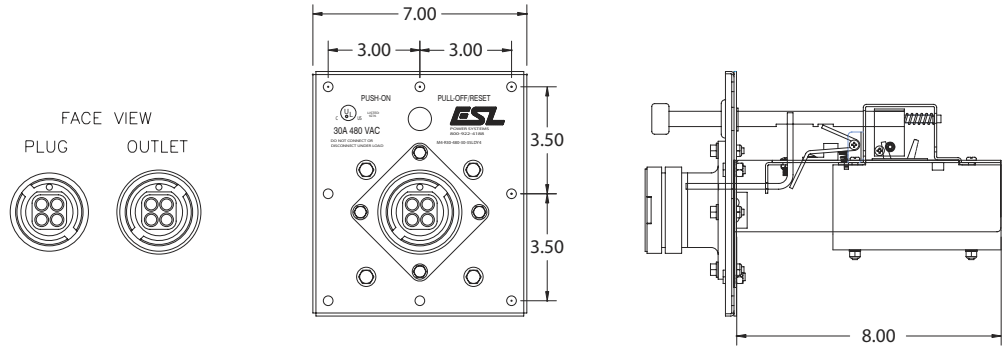
30AMP 480VAC

Catalog No: R30-480-30-35LDY4-SP

Item No: 1701-27A



- Heavy Duty Stainless Steel Construction Resists Corrosion & Abuse
- UL Listed Circuit Breaker Protects Operator & Equipment
- Mates with Appleton® ACP3034BC, Crouse-Hinds® APJ3485 and Killark® VP3485 Male Plugs



RATING:

- Receptacle - Crouse-Hinds® AR342, 30A, 480VAC
- Circuit Breaker - 30A Trip / 35,000AIC @ 480VAC
- Environmental - IP56 per IEC 529
(Screw Cover) Type 4X capable per NEMA 250, UL 50/508, CSA 22.2
- Terminals - (3) Phase & (1) Ground pressure type screw terminals

MATERIALS:

- Stainless Steel - Frame, On/Off Rod, Interlock Mechanism, and all Fasteners
- Polyester w/ Fiberglass - Contact Carrier
- Brass - Contact Sleeves
- Aluminum - Snap Cover / Screw Cover
- Aluminum - Receptacle Housing
- Neoprene (CR) - Gaskets, Cover Seals

APPROVALS:

- UL/cUL Listed Module • UL 489 Listed / CSA Certified Molded Case Circuit Breaker
- UL Listed Receptacle

ACCESSORIES / PARTS

Description	Item No.	Description	Item No.
• Circuit Breaker	4020-XX	• Receptacle & Contact Sleeve Assy	4012-XX

ESL Power Systems, Inc.
 2800 Palisades Drive • Corona, CA 92880-9427
 Tel: (951) 739-7020 • (800) 922-4188 • Fax: (951) 739-7048

www.eslpwr.com • e-mail: info@eslpwr.com

