

INTERLOCKED POWER MODULE

60A 240VAC

Catalog No: R60-240-60-65LDYP2-SW

Item No: 1701-05A

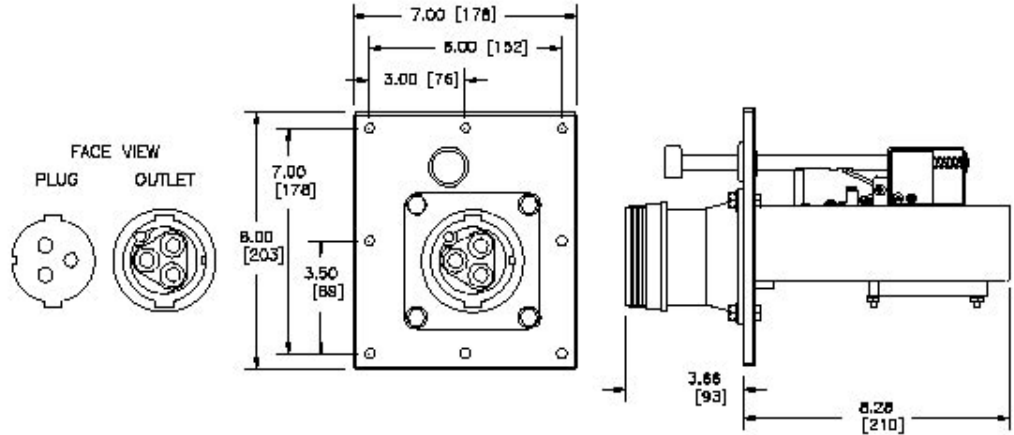


- Heavy Duty Stainless Steel Construction Resists Corrosion & Abuse
- Polyester w/ Fiberglass Receptacle Resists Corrosion & Abuse
- UL Listed Circuit Breaker Protects Operator & Equipment
- Mates with Crouse-Hinds NPJ6385 Male Plug

ESL Power Systems, Inc. • Tel: (951) 739-7020 • (800) 922-4188 • Fax: (951) 739-7048 • www.eslpwr.com • info@eslpwr.com

©2004 ESL Power Systems
1701-05A

ESL
POWER SYSTEMS



RATING:

- Receptacle - Crouse-Hinds NR632, 60A 240VAC, 2P3W
- Circuit Breaker - 60A Trip / 65,000AIC @ 240VAC
- Environmental - IP56 per IEC 529
(Screw Cover or Mated Plug) Type 4X capable per NEMA 250, UL 50/508, CSA 22.2
- Terminals - (2) Phase & (1) Ground pressure type screw terminals

MATERIALS:

- Stainless Steel - Frame, On/Off Rod, Interlock Mechanism, and all Fasteners
- Polyester w/ Fiberglass - Contact Carrier, Receptacle Housing
- Brass - Contact Sleeves
- Neoprene (CR) - Gaskets, Cover Seals, Protective Cap

APPROVALS:

- UL/cUL Listed Module • UL 489 Listed / CSA Certified Molded Case Circuit Breaker
- UL Listed Receptacle

ACCESSORIES / PARTS

Description	Item No.	Description	Item No.
• Circuit Breaker	4020-13	• Receptacle & Contact Sleeve Assy	2000-XX



ESL Power Systems, Inc.
 2800 Palisades Drive • Corona, CA 92880-9427
 Tel: (951) 739-7020 • (800) 922-4188 • Fax: (951) 739-7048
 www.eslpwr.com • e-mail: info@eslpwr.com