

INTERLOCKED POWER MODULE

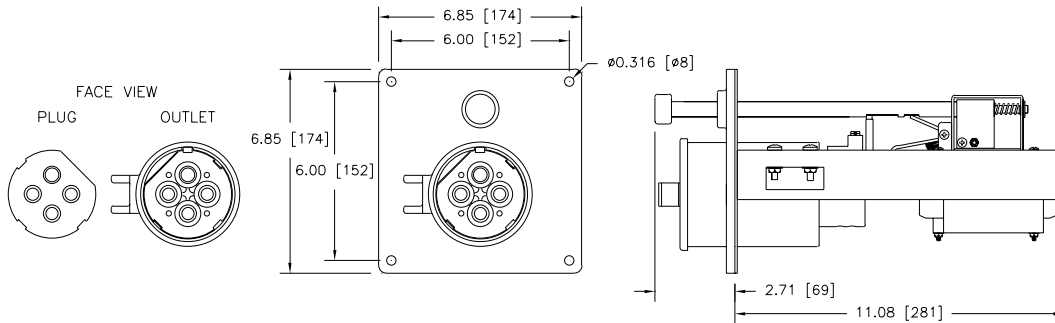
100A 240VAC

Catalog No: R100-240-90-65SSD-SP

Item No: 1700-65A



- Heavy Duty Stainless Steel Construction Resists Corrosion & Abuse
- Cast Stainless Steel Faceplate / Receptacle Housing
- UL Listed Circuit Breaker Protects Operator & Equipment
- Nickel Plated Brass Contacts & Unique Outlet Design Resists Corrosion & Arc Tracking



RATING:

Receptacle -	100A 240VAC
Circuit Breaker -	90A Trip / 65,000AIC @ 240VAC
Environmental -	Type 4X capable per NEMA 250, UL 50/508, CSA 22.2
Terminals -	(3) Phase & (1) Ground pressure type screw terminal Phase: #6 - #2 AWG (4-25mm ²) Wire Range Ground: #6 - #2 AWG (4-25mm ²) Wire Range

MATERIALS:

Stainless Steel -	Frame, On/Off Rod, Interlock Mechanism, Contact Terminal Screws & Spring, Snap Cover, Receptacle Housing and all Fasteners
Rynite -	Contact Carrier
Brass nickel plated -	Contact Sleeves
Neoprene (CR) -	Gaskets, Cover Seals
Buna-N (Nitrile/NBR) -	O-Rings

APPROVALS:

UL Listed Module • UL 489 Listed / CSA Certified Molded Case Circuit Breaker

ACCESSORIES / PARTS

Description	Item No.	Description	Item No.
• Stainless Steel Snap Cover Assy	4036-03	• Circuit Breaker	4020-16
• Receptacle Insert Contact Sleeve Assy	4010-36		